

NOTICE OF ACCEPTANCE (NOA)

**Rollingshield, Inc.
2500 N.W. 74th Avenue
Miami, Florida 33122**

SCOPE:

This NOA is being issued under the applicable rules and regulations governing the use of construction materials. The documentation submitted has been reviewed and accepted by Miami-Dade County PERA-Product Control Section to be used in Miami Dade County and other areas where allowed by the Authority Having Jurisdiction (AHJ).

This NOA shall not be valid after the expiration date stated below. The Miami-Dade County Product Control Section (In Miami Dade County) and/or the AHJ (in areas other than Miami Dade County) reserve the right to have this product or material tested for quality assurance purposes. If this product or material fails to perform in the accepted manner, the manufacturer will incur the expense of such testing and the AHJ may immediately revoke, modify, or suspend the use of such product or material within their jurisdiction. PERA reserves the right to revoke this acceptance, if it is determined by Miami-Dade County Product Control Section that this product or material fails to meet the requirements of the applicable building code.

This product is approved as described herein, and has been designed to comply with the High Velocity Hurricane Zone of the Florida Building Code.

DESCRIPTION: "RS-1 High Velocity" Aluminum Accordion Shutter System

APPROVAL DOCUMENT: Drawing No. 12-2011(RS1-06), titled "RS-1 High Velocity Shutter System", sheets 1 through 9 of 9, & 2A of 9, prepared by V. M. Engineering, dated 12/26/2011, last revision #4 dated 12/26/2011, signed and sealed by Morgan Villanueva, P.E., bearing the Miami-Dade County Product Control Revision stamp with the Notice of Acceptance number and the expiration date by the Miami-Dade County Product Control Section.

MISSILE IMPACT RATING: Large and Small Missile Impact Resistant

LABELING: Each unit shall bear a permanent label with the manufacturer's name or logo, city, state, the following statement: "Miami-Dade County Product Control Approved", and NOA number, per TAS201, TAS-202, and TAS-203, unless otherwise noted herein.

RENEWAL of this NOA shall be considered after a renewal application has been filed and there has been no change in the applicable building code negatively affecting the performance of this product.

TERMINATION of this NOA will occur after the expiration date or if there has been a revision or change in the materials, use, and/or manufacture of the product or process. Misuse of this NOA as an endorsement of any product, for sales, advertising or any other purposes shall automatically terminate this NOA. Failure to comply with any section of this NOA shall be cause for termination and removal of NOA.

ADVERTISEMENT: The NOA number preceded by the words Miami-Dade County, Florida, and followed by the expiration date may be displayed in advertising literature. If any portion of the NOA is displayed, then it shall be done in its entirety.

INSPECTION: A copy of this entire NOA shall be provided to the user by the manufacturer or its distributors and shall be available for inspection at the job site at the request of the Building Official.

This NOA revises NOA # 09-0604.13 and consists of this page 1, evidence submitted pages E-1, E-2, E-3, & E-4 as well as approval document mentioned above.

The submitted documentation was reviewed by **Helmy A. Makar, P.E., M.S.**



Helmy A. Makar
01/19/2012

NOA No. 11-1227.04
Expiration Date: 01/19/2017
Approval Date: 01/19/2012

NOTICE OF ACCEPTANCE: EVIDENCE SUBMITTED

1. EVIDENCE SUBMITTED UNDER PREVIOUS APPROVAL # 06-0822.03

A. DRAWINGS

1. *Drawing No. 06-003RS1, titled "RS-1 High Velocity Shutter System", sheets 1 through 9 of 9, prepared by V. M. Engineering, dated July 05, 2006, last revision #1 dated November 25, 2006, signed and sealed by Morgan Villanueva, P.E.*

B. TESTS

1. *See Association's generic approval under 06-1826.*

C. CALCULATIONS:

1. *See Association's generic approval under 06-1826.*

D. QUALITY CONTROL

1. *By Miami-Dade County Building Code Compliance Office.*

E. MATERIAL CERTIFICATION:

1. *See Association's generic approval under 06-1826.*

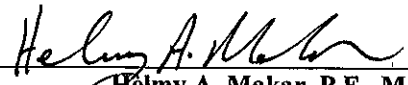
F. STATEMENTS

1. *Release letter issued by National Shutter Association, dated October 19, 2006, certifying this product to meet the criteria of product tested and approved, and allowing Rollingshield, Inc. to use the test results approved under Miami-Dade County Approval No. 06-1826, signed by Jose Delgado.*
2. *Acknowledgment letter by Rollingshield, Inc., dated October 27, 2006, signed by Jose Delgado.*
3. *Letter issued by V. M. Engineering, dated October 19, 2006, certifying that the drawing (No. 06-003RS1) prepared for Rollingshield, Inc., signed and sealed by Morgan Villanueva, P.E. is engineering wise identical to National Shutter Association generic drawing (No. 06-004RS1).*
4. *Acceptance Letter issued to Mr. Jose Delgado on December 10, 2006 and returned signed by Mr. Jose Delgado on December 11, 2006, indicating to please issue the proposed Notice of Acceptance as submitted and reviewed.*

2. EVIDENCE SUBMITTED UNDER PREVIOUS APPROVAL #07-0206.03

A. DRAWINGS

1. *Drawing No. 06-003RS1, titled "RS-1 High Velocity Shutter System", sheets 1 thru. 9 of 9, & 2A of 9, prepared by V. M. Engineering, dated 07/05/2006, last revision #2 dated 11/10/2006, signed and sealed by Morgan Villanueva, P.E. on 02/02/07.*



Helmy A. Makar, P.E., M.S.
PERA, Product Control Unit Supervisor
NOA No. 11-1227.04
Expiration Date: 01/19/2017
Approval Date: 01/19/2012

NOTICE OF ACCEPTANCE: EVIDENCE SUBMITTED

B. TESTS

1. *See Association's generic approval under 06-2372.*

C. CALCULATIONS:

1. *See Association's generic approval under 06-2372.*

D. QUALITY CONTROL

1. *By Miami-Dade County Building Code Compliance Office.*

E. MATERIAL CERTIFICATION:

1. *See Association's generic approval under 06-2372.*

F. STATEMENTS

1. *Release letter issued by National Shutter Association, dated October 19, 2006, certifying this product to meet the criteria of product tested and approved, and allowing Rollingshield, Inc. to use the test results approved under Miami-Dade County Approval No. 06-2372, signed by Jose Delgado.*
2. *Acknowledgment letter by Rollingshield, Inc., dated October 27, 2006, signed by Jose Delgado.*
3. *Letter issued by V. M. Engineering, dated October 19, 2006, certifying that the drawing (No. 06-003RS1) prepared for Rollingshield, Inc., signed and sealed by Morgan Villanueva, P.E. is engineering wise identical to National Shutter Association generic drawing (No. 06-004RS1), revision #2.*
4. *Acceptance Letter issued to Mr. Jose Delgado on December 09, 2006 and returned signed by Mr. Jose Delgado on December 11, 2006, indicating to please issue the proposed Notice of Acceptance as submitted and reviewed.*

3. EVIDENCE SUBMITTED UNDER PREVIOUS APPROVAL #09-0604.13

A. DRAWINGS

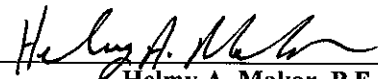
1. *Drawing No. 09-008RS1, titled "RS-1 High Velocity Shutter System", sheets 1 thru. 9 of 9, & 2A of 9, prepared by V. M. Engineering, dated 05/14/2009, last revision #3 dated 05/14/2009, signed and sealed by Morgan Villanueva, P.E. on 05/27/09.*

B. TESTS

1. *See Association's generic approval under 09-0830.*

C. CALCULATIONS:

1. *See Association's generic approval under 09-0830.*



Helmy A. Makar, P.E., M.S.
PERA, Product Control Unit Supervisor
NOA No. 11-1227.04
Expiration Date: 01/19/2017
Approval Date: 01/19/2012

NOTICE OF ACCEPTANCE: EVIDENCE SUBMITTED

D. QUALITY CONTROL

1. *By Miami-Dade County Building Code Compliance Office.*

E. MATERIAL CERTIFICATION:

1. *See Association's generic approval under 09-0830.*

F. STATEMENTS

1. *Release letter issued by National Shutter Association, dated May 21, 2009, certifying this product to meet the criteria of product tested and approved, and allowing Rollingshield, Inc. to use the test results approved under Miami-Dade County Approval No. 09-0830, signed by Jose Delgado.*
2. *Acknowledgment letter by Rollingshield, Inc., dated May 21, 2009, signed by Mr. Jose Delgado.*
3. *Letter issued by V. M. Engineering, dated May 21, 2009, certifying that the drawing (No. 09-008RS1) prepared for Rollingshield, Inc., signed and sealed by Morgan Villanueva, P.E. is engineering wise identical to National Shutter Association generic drawing (No. 09-016RS1), dated May 29, 2009.*

4. NEW EVIDENCE SUBMITTED

A. DRAWINGS

1. *Drawing No. 12-2011(RS1-06), titled "RS-1 High Velocity Shutter System", sheets 1 through 9 of 9, & 2A of 9, prepared by V. M. Engineering, dated 12/26/2011, last revision #4 dated 12/26/2011, signed and sealed by Morgan Villanueva, P.E.*

B. TESTS

1. *See Association's generic approval under 12-0074.*

C. CALCULATIONS:

1. *See Association's generic approval under 12-0074.*

D. QUALITY CONTROL

1. *By Miami-Dade County Department of Permitting, Environment, and Regulatory Affairs (PERA).*

E. MATERIAL CERTIFICATION:

1. *See Association's generic approval under 12-0074.*

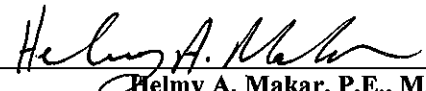


Helmy A. Makar, P.E., M.S.
PERA, Product Control Unit Supervisor
NOA No. 11-1227.04
Expiration Date: 01/19/2017
Approval Date: 01/19/2012

NOTICE OF ACCEPTANCE: EVIDENCE SUBMITTED

F. STATEMENTS

1. *Release letter issued by National Shutter Association, dated January 13, 2012, certifying this product to meet the criteria of product tested and approved, and allowing Rollingshield, Inc. to use the test results approved under Miami-Dade County Approval No. 12-0074, signed by Jose Delgado.*
2. *Acknowledgment letter by Rollingshield, Inc., dated January 13, 2012, signed by Mr. Jose Delgado.*
3. *Letter issued by V. M. Engineering, dated January 13, 2012, certifying that the drawing (No. 12-2011(RS1-06) prepared for Rollingshield, Inc., signed and sealed by Morgan Villanueva, P.E. is engineering wise identical to National Shutter Association generic drawing.*



Helmy A. Makar, P.E., M.S.
PERA, Product Control Unit Supervisor
NOA No. 11-1227.04
Expiration Date: 01/19/2017
Approval Date: 01/19/2012

1. THIS SHUTTER ACCORDION "RS-1" HAS BEEN VERIFIED IN ACCORDANCE WITH SECTIONS 1609 OF THE FLORIDA BUILDING CODE EDITIONS 2007 AND 2010, AS PER TAS 201-94, TAS 202-94 & TAS 203-94 OF THE TEST PROTOCOLS FOR HIGH-VELOCITY HURRICANE ZONES, AND AS PER AMERICAN TESTING LABORATORY WITH THE TEST NO. 4986.
 THE DESIGN LOADS COMPLY WITH SECTION 1626 OF THE FLORIDA BUILDING CODE EDITIONS 2007 AND 2010. THE WIND PRESSURES SHOWN IN THE TABLES ON SHEETS (6 OF 9) AND (7 OF 9) IN THIS DOCUMENTS ARE AS PER FBC 2007 EDITION (ALLOWABLE SERVICE DESIGN), TO OBTAIN THE EQUIVALENT WIND PRESSURES AS PER FBC 2010, DIVIDE THE WIND PRESSURES SHOWN IN THE TABLES ON SHEETS (6 OF 9) AND (7 OF 9) OF THIS DOCUMENT BY 0.6 FACTOR (ULTIMATE FACTOR DESIGN). IN ORDER TO VERIFY THAT ANCHORS ON THIS PRODUCT APPROVAL DOCUMENTS, AS TESTED, WERE NOT OVERSTRESSED, A 33% INCREASE IN ALLOWABLE STRESS FOR WIND LOADS WAS NOT USED IN THEIR ANALYSIS, AND IN THE LABORATORY THE TEST LOAD WAS 50% MORE OF DESIGN LOAD.
 THE RS-1 ALUMINUM ACCORDION HIGH VELOCITY SHUTTER SYSTEM IS ADEQUATE FOR IMPACT AND FATIGUE RESISTANCE AS SHOWN IN THE TEST RESULTS FROM LABORATORY.
 AND LAST BUT NOT LESS, THE RS-1 ALUMINUM ACCORDION HIGH VELOCITY SHUTTER SYSTEM MAY BE INSTALLED AT HIGH VELOCITY HURRICANE ZONES (H.V.H.Z.)"

2. ALL ALUMINUM EXTRUSIONS SHALL BE ALUMINUM ASSOCIATION 6063-T6 ALLOY AND TEMPER, WITH $F_y = 25.0$ ksi MINIMUM (UNLESS OTHERWISE NOTED).

3. SCREWS SHALL BE:
 - AISI SERIES 304 OR 316 STAINLESS STEEL, $F_y=35$ ksi MIN.
 - CARBON STEEL CORROSION RESISTANT AS PER DIN 50018, $F_y=50$ ksi.

4. BOLTS SHALL BE:
 - T4-2024 ALUMINUM ALLOY AND TEMPER, $F_y= 18$ ksi MIN.
 - ASTM A-307 GALVANIZED STEEL, $F_y= 50$ ksi
 - AISI SERIES 304 STAINLESS STEEL, $F_y=35$ ksi MIN.

5. ANCHORS TO WALL SHALL BE AS FOLLOWS:

(5.1) TO EXISTING POURED CONCRETE: (Min. $f'_c = 3$ ksi)
 - 1/4"Ø TAPCON ANCHORS AND 1/4"Ø MAXI-SET TAPCON, AS MANUFACTURED BY I.T.W. RAMSET/ RED HEAD.
 - 1/4"Ø CRETE-FLEX SS4 ANCHORS, AS MANUFACTURED BY ELCO TEXTRON.
 - 1/4"Ø x 7/8" CALK-IN ANCHORS AS MANUFACTURED BY ALL POWERS FASTENERS

NOTES:

5.1.1) MINIMUM EMBEDMENT INTO POURED CONCRETE OF TAPCON ANCHORS IS 1 3/4".
 5.1.2) MINIMUM EMBEDMENT OF 1/4"Ø CALK-IN ANCHORS SHALL BE 7/8" INTO THE POURED CONCRETE. NO EMBEDMENT INTO STUCCO SHALL BE PERMITTED. 1/4" Ø-20 S.S. MACHINE SCREW USED TOGETHER WITH 1/4"Ø CALK-IN ANCHORS.

5.2) IN CASE THAT PRECAST STONE, PRECAST CONCRETE PANELS, PAVERS OR ANY VENEER BE FOUND ON THE EXISTING WALL OR FLOOR, ANCHORS SHALL BE LONG ENOUGH TO REACH THE MAIN STRUCTURE BEHIND SAID WALL FINISHES. ANCHORAGE SHALL BE AS INDICATED ON NOTES 5.1.1) & 5.1.2) ABOVE.

(5.3) TO EXISTING CONCRETE BLOCK WALL:
 - 1/4"Ø TAPCON ANCHORS AND 1/4"Ø MAXI-SET TAPCON, AS MANUFACTURED BY I.T.W. RAMSET/ RED HEAD.
 - 1/4"Ø CRETE-FLEX SS4 ANCHORS, AS MANUFACTURED BY ELCO TEXTRON.
 - 1/4"Ø x 7/8" CALK-IN ANCHORS AS MANUFACTURED BY ALL POWERS FASTENERS

NOTES:

5.4.1) MINIMUM EMBEDMENT INTO CONCRETE BLOCK OF TAPCON & WEDGE-BOLT ANCHORS, IS 1 1/4".
 5.4.2) MINIMUM EMBEDMENT OF 1/4"Ø CALK-IN ANCHORS SHALL BE 7/8" INTO THE POURED CONCRETE. NO EMBEDMENT INTO STUCCO SHALL BE PERMITTED. 1/4" Ø-20 S.S. MACHINE SCREW USED TOGETHER WITH 1/4"Ø CALK-IN ANCHORS.

5.5) IN CASE THAT PRECAST STONE, PRECAST CONCRETE PANELS, PAVERS OR ANY VENEER BE FOUND ON THE EXISTING WALL OR FLOOR, ANCHORS SHALL BE LONG ENOUGH TO REACH THE MAIN STRUCTURE BEHIND SAID WALL FINISHES. ANCHORAGE SHALL BE AS INDICATED ON NOTES 5.4.1) & 5.4.2) ABOVE.

(5.6) ANCHORS SHALL BE INSTALLED FOLLOWING ALL OF THE RECOMMENDATIONS AND SPECIFICATIONS OF THE ANCHOR'S MANUFACTURER.

(5.7) SEE SCHEDULE BELOW FOR EDGE DISTANCE (E.D.) VERSUS SPACING RELATIONSHIP FOR ANCHORS ON SHEET 7 OF 9.

6 MOUNTING SECTIONS CAN BE COMBINED IN ANY WAY TO SUIT ANY INSTALLATION. (SEE ALTERNATIVES NOTES ON SHEET 6 OF 9).
 - FLOOR MOUNTING INSTALLATION SHALL BE REMOVABLE WHEN PERFORMED ADJACENT TO AN OPERABLE EXIT OR ENTRANCE

7. CONTRACTOR SHALL VERIFY THE EXISTING CONDITIONS OF THE OPENINGS WHERE SHUTTER WILL BE INSTALLED TO INSURE APPROPRIATE INSTALLATION.

CONTRACTOR SHALL BE RESPONSIBLE FOR:

- VERIFY THE EXISTING CONDITIONS OF THE STRUCTURE WHERE SHUTTER WILL BE INSTALLED TO PREVENT ANY DAMAGE TO EXISTING STRUCTURE.
- SEAL ALL SHUTTER TRACKS COMPONENTS ALL AROUND EDGES IN CONTACT WITH THE STRUCTURE TO PREVENT ANY DAMAGE DUE TO WIND AND RAIN
- SELECT THE PROPER TYPE OF INSTALLATION TO PROVIDE APPROPRIATE WORK INCLUDING LIFE SAFETY OF THIS PRODUCT.
- IF IN ANY CASE CONTRACTOR NEEDS TO MADE ANY MODIFICATION HE/SHE SHOULD COMMUNICATE IMMEDIATELY TO ENGINEER OF RECORD BEFORE ANY ACTION.

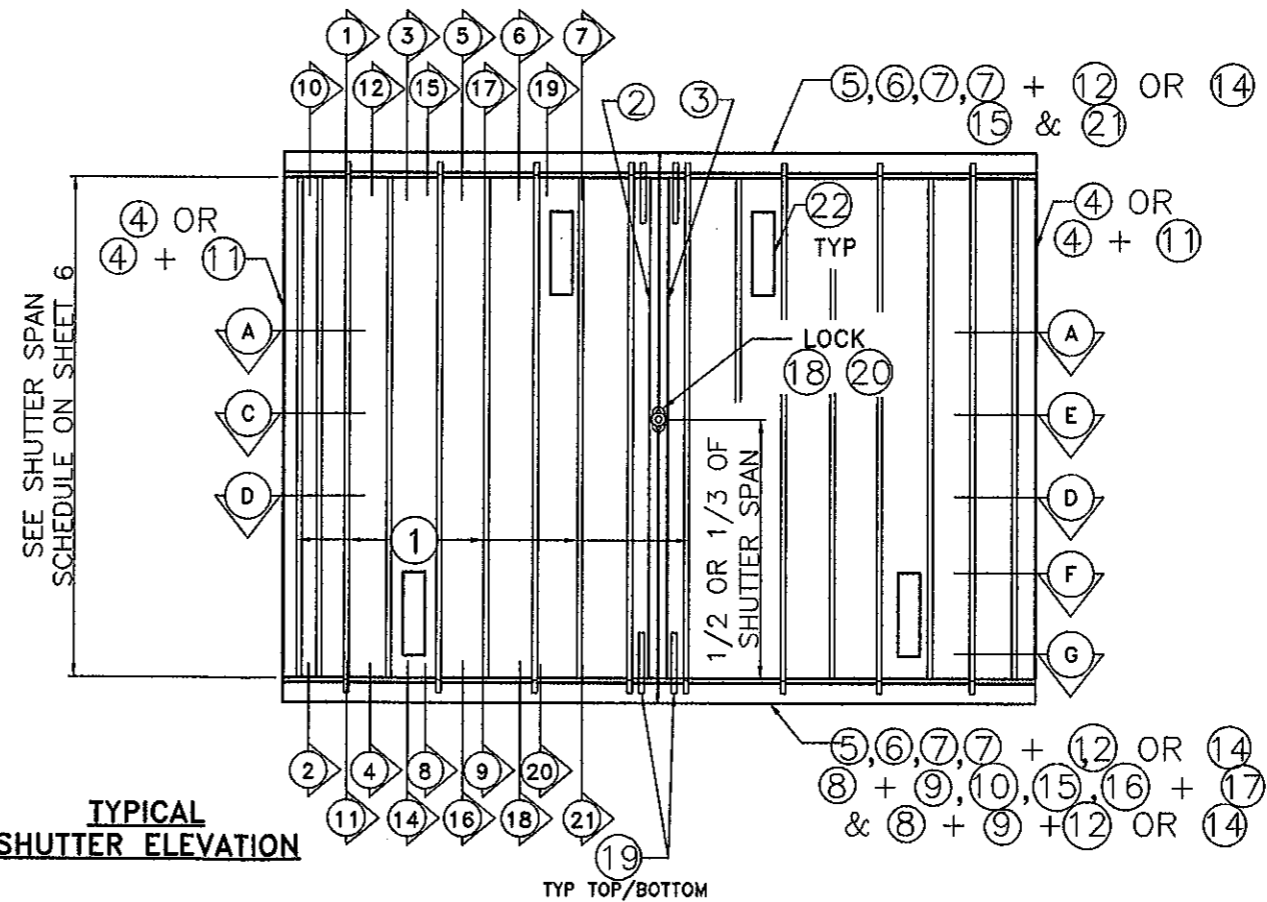
8. A LABEL SHALL BE PLACED FOR EVERY OPENING BY THE MANUFACTURER AND SHALL BE EXPOSED ON THE CENTERMATE, COMPONENT 2 OR 3.
 LABEL SHALL READ:

RS-1 ALUMINUM ACCORDION.
 ROLLINGSHIELD INC.
 MIAMI, FLORIDA
 MIAMI-DADE COUNTY PRODUCT CONTROL APPROVED.

9. THE INSTALLATION OF THIS RS-1 ALUMINUM ACCORDION HIGH VELOCITY SHUTTER SYSTEM SHALL COMPLY WITH THE SPECIFICATIONS INDICATED IN THIS DRAWING PLUS ANY BUILDING AND ZONING REGULATIONS PROVIDED BY THE JURISDICTION WHERE PERMIT IS APPLIED TO.

10. THIS PRODUCT APPROVAL DOCUMENTS WILL BE VALID ONLY WHEN IT MEETS THE FOLLOWING TERMS:
 -PLANS SHALL BE SIGNED & SEALED BY THE ENGINEER OF RECORD.
 -NO MODIFICATIONS AND/OR ALTERATIONS MAY BE MADE BY ANY MEANS.

11. THIS PRODUCT APPROVAL DOCUMENTS WAS NOT PREPARED FOR A SPECIFIC SITE.



RS-1 ALUMINUM SHUTTER SYSTEM
 HIGH VELOCITY SHUTTER SYSTEM
ROLLINGSHIELD INC.
 PHONE (305) 436-6661 FAX (305) 820-8225
 2500 N.W. 74TH AVENUE
 MIAMI, FLORIDA 33122
 www.rollingshield.com

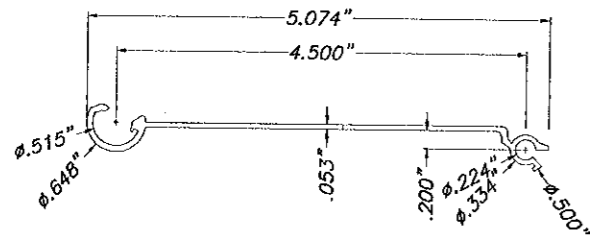
REV. No	DESCRIPTION	DATE
1	GENERAL	9-30
2	ADDENDUM/ NEW COMPONENTS 21 & 22	11/11/11
3	RENEWAL AS PER FBC 2007	5-14
4	RENEWAL AS PER FBC 2010	12-26

V.M. Engineering Inc.
 C. of A. No. 27633
 11278 S.W. 153rd Place
 MIAMI, FLORIDA 33196
 TEL: 786-281-6988
 TEL: 305-383-5896

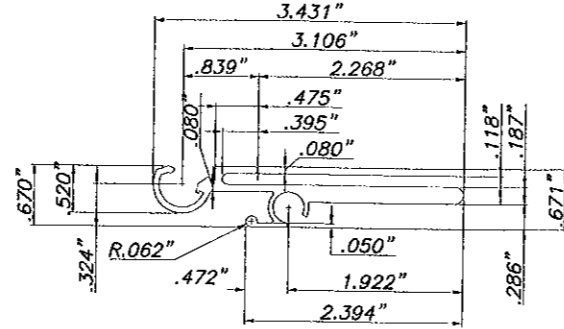
PROFESSIONAL ENGINEER
 MORGAN VILLANUEVA
 LICENSE NO. 66226
 STATE OF FLORIDA
 01/16/12

PRODUCT REVISED
 as complying with the Florida Building Code
 Acceptance No 11-1227-04
 Expiration Date 01/19/2017
 By *Heidi A. Mohr*
 Miami Dade Product Contr-
 MIAMI-DADE COUNTY

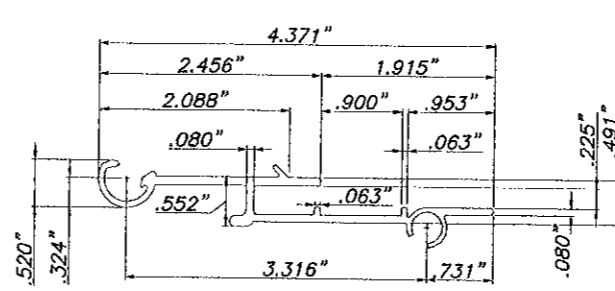
SCALE:
 DATE: 12-26-2011
F.B.C.
 (High Velocity Hurricane Zone)
 DWG No: 12-2011(RS1-06)
 SHEET 1 OF 9



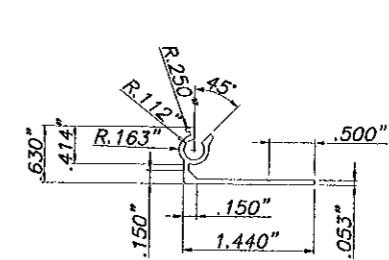
① MALE/FEMALE BLADE



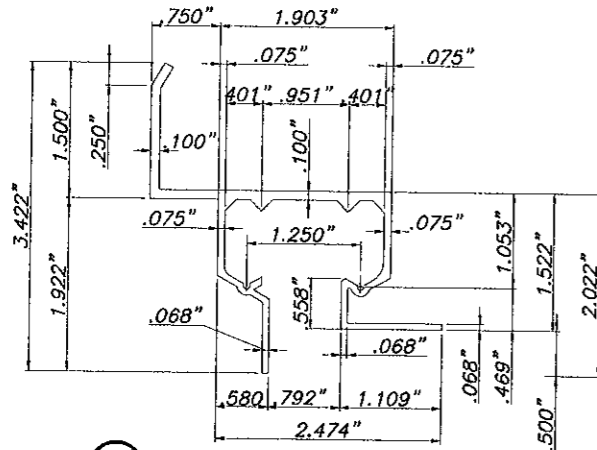
② MALE CENTERMATE BLADE



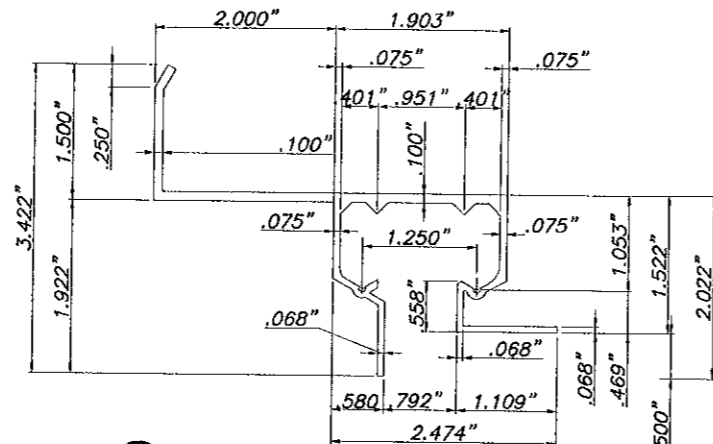
③ FEMALE CENTERMATE BLADE



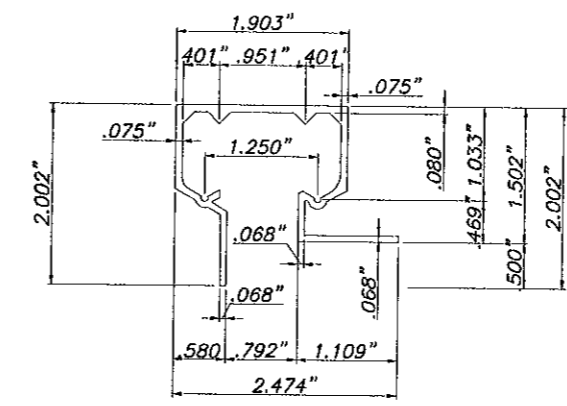
④ 180° MALE STARTER



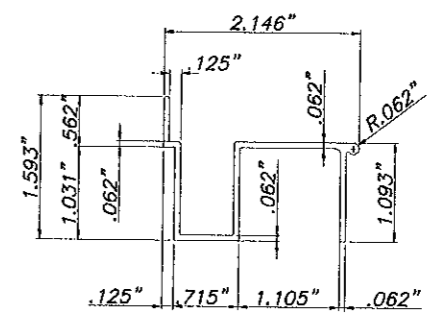
⑤ HEADER WALL MOUNT.



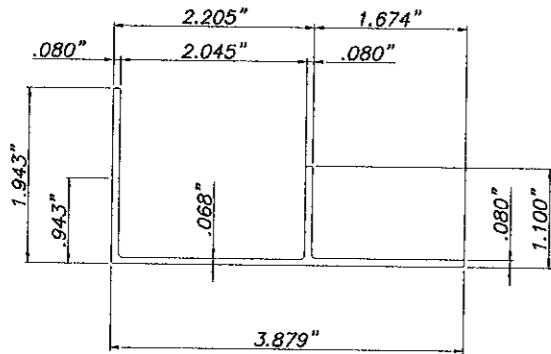
⑥ B.O. HEADER WALL MOUNT.



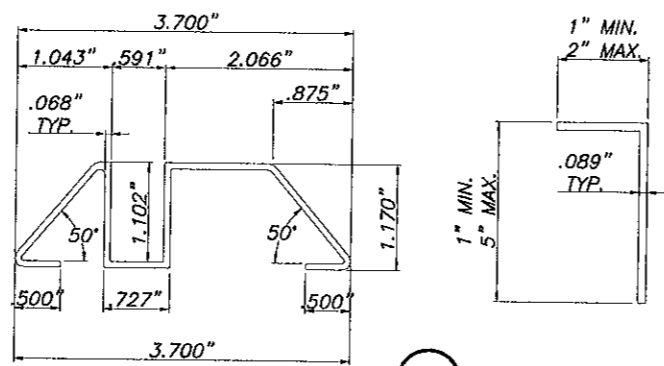
⑦ CEILING HEADER MOUNT.



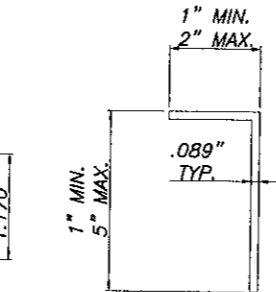
⑧ FLOOR SILL



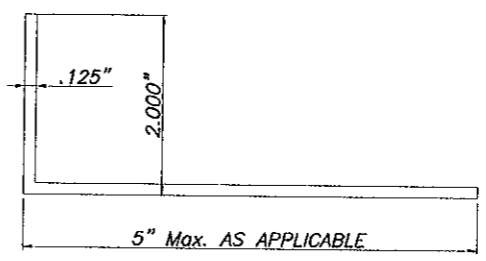
⑨ ADJUSTABLE FLOOR SILL ADAPTOR



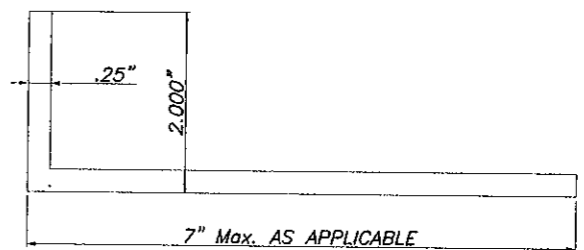
⑩ THRESHOLD TRACK



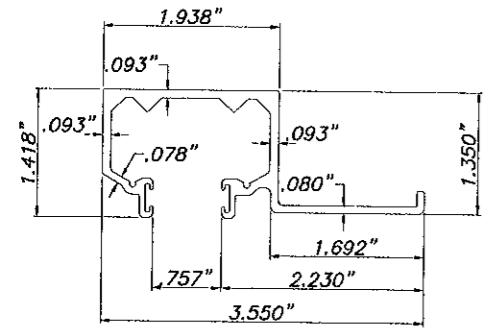
⑪ STARTER ANGLE



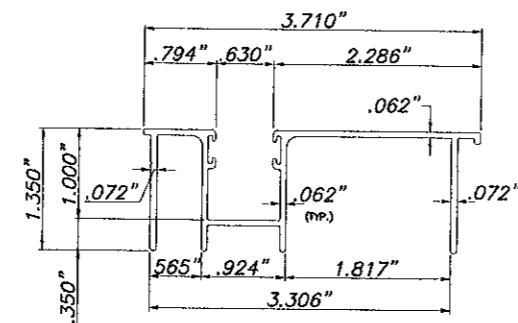
⑫ ALUMINUM B.O. ANGLE



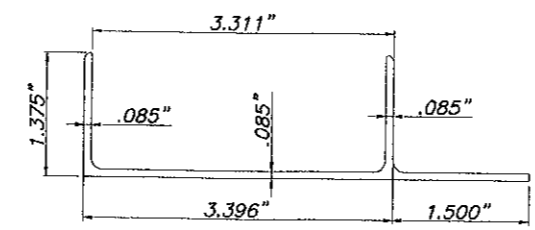
⑬ ALUMINUM B.O. ANGLE



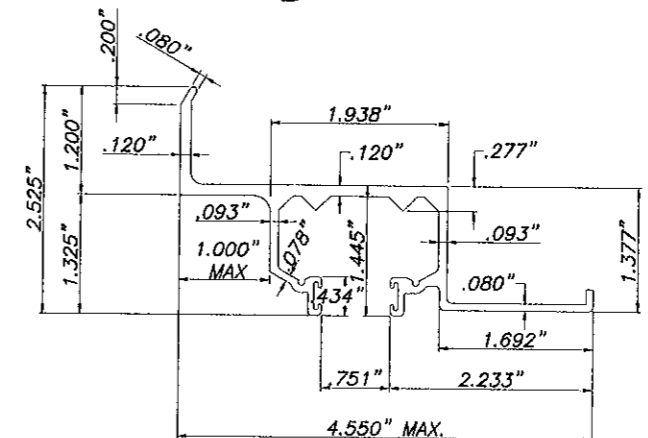
⑮ CEILING HEADER



⑯ FLOOR SILL



⑰ ADJUSTABLE FLOOR SILL ADAPTOR W / LIP



⑰ WALL HEADER

RS-1 ALUMINUM SHUTTER
HIGH VELOCITY SHUTTER SYSTEM

ROLLINGSHIELD INC.
PHONE (305) 438-6661 FAX (305) 820-8225
2500 N.W. 74TH AVENUE
MIAMI, FLORIDA 33122
www.rollingshield.com

REV. No	DESCRIPTION	DATE
1	GENERAL	9-30-06
2	ADDENDUM/ NEW COMPONENTS 21 & 22	11/10/06
3	RENEWAL AS PER FBC 2007	5-14-09
4	RENEWAL AS PER FBC 2010	12-26-2011

V.M.
Engineering Inc.
of A. No. 27633
11278 S.W. 153rd Place
MIAMI, FLORIDA 33196
TEL: 786-281-6968
TEL: 305-383-6896

PROFESSIONAL ENGINEER
STATE OF FLORIDA
12/27/11
12/27/11
12/27/11

PRODUCT REVISED
as complying with the Florida
Building Code
Acceptance No. 11-1227-04
Expiration Date 01/19/2017

By *Heather M. Miller*
Miami Dade Product Control

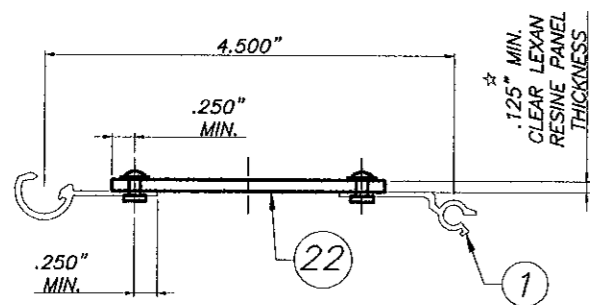
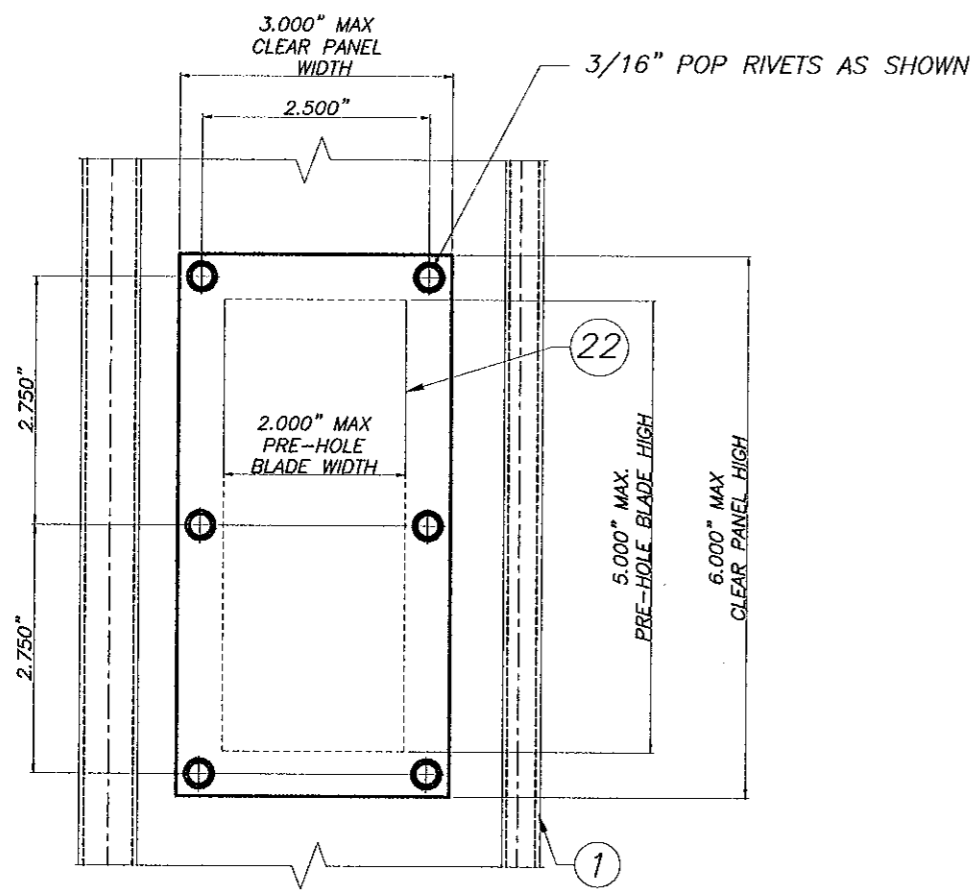
MIAMI-DADE COUNTY

SCALE:
DATE: 12-26-2011

F.B.C.
(High Velocity Hurricane Zone)

DWG No: 12-2011(RS1-06)

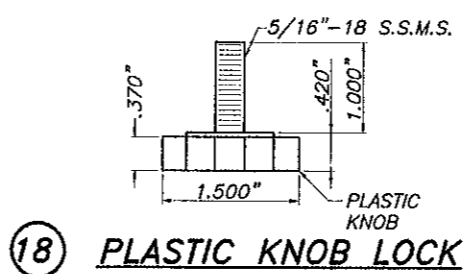
SHEET 2 OF 9



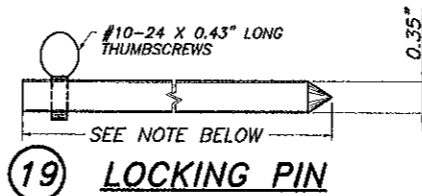
MALE/FEMALE BLADE DETAIL OF CLEAR PANEL LOCATION

MAXIMUM NUMBER OF CLEAR PANELS PER SHUTTER MUST NOT EXCEED FOUR (4) PER ACCORDION AND LOCATED TWO AT EACH SIDE OF THE CENTERMATES STARTED AT THIRD BLADE AFTER THE CENTERMATES AND THE SECOND ONE FOURTH BLADE AFTER, TYPICAL AT EACH SIDE OF THE SHUTTER.

★ CLEAR PANEL SHALL BE LEXAN RESIN #103-112 (UV STABILIZED) OR EQUIVALENT COMPARABLE TO G.E. LEXAN POLYMER SHEET #90-34, APPROVED BY MIAMI-DADE COUNTY NOA #03-1210.4, THERMOPLASTIC POLYMER TENSILE STRENGTH $F_y=8.9\text{ksi}$, $F_b=12.9\text{ksi}$, $E=328.7\text{ksi}$

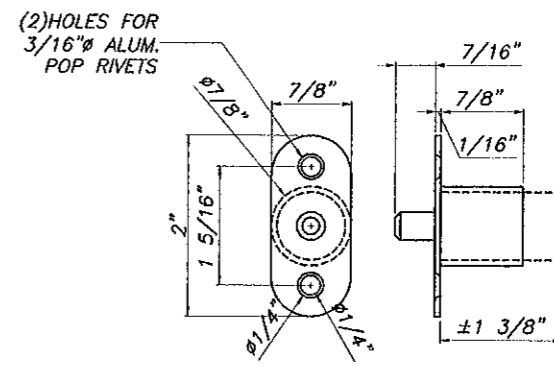


18 PLASTIC KNOB LOCK

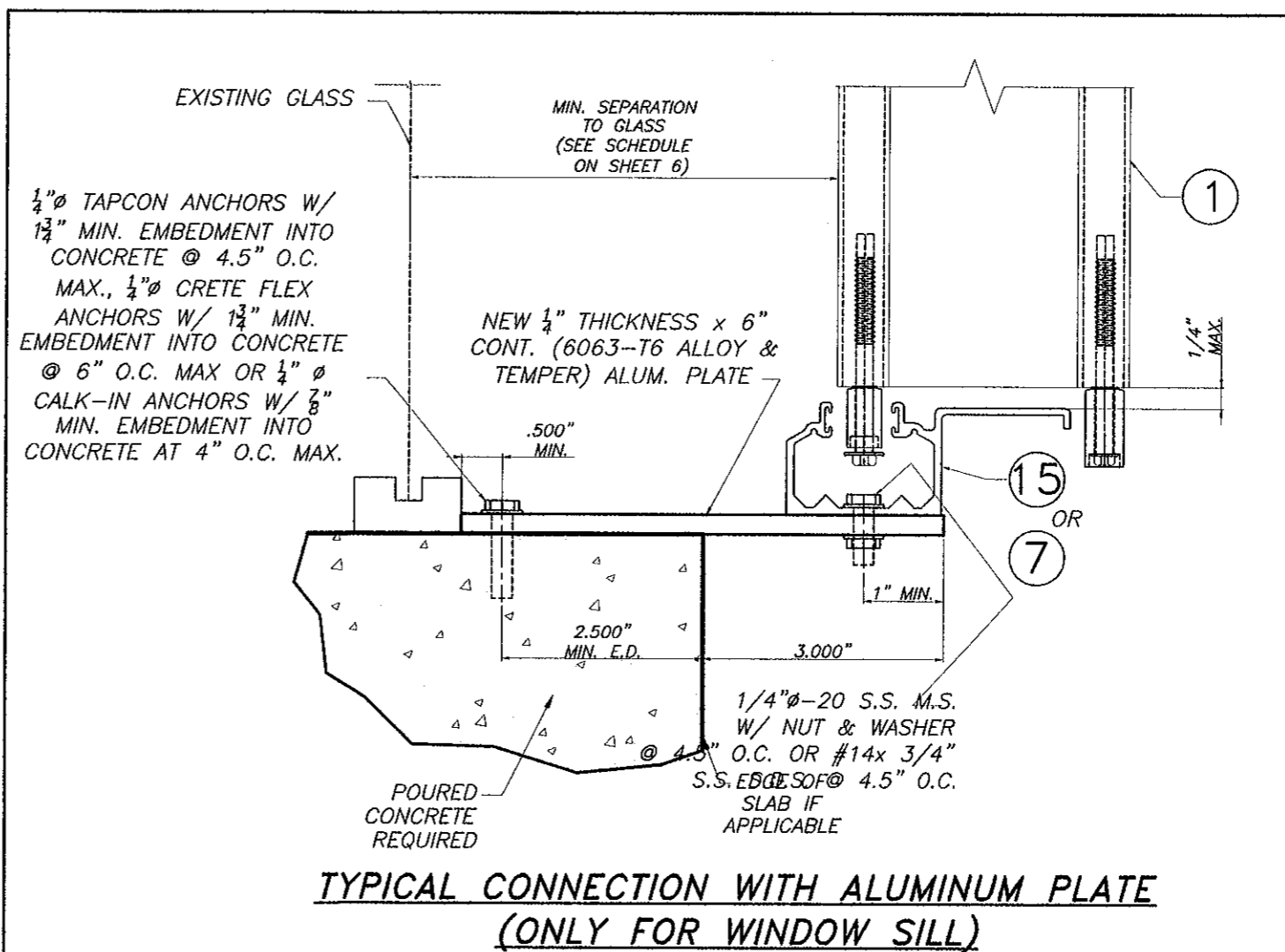


19 LOCKING PIN

24" Min. FOR UP TO 9'-0" SHUTTER BLADE LENGTHS, AND FOR SHUTTER BLADE LENGTHS GREATER THAN 9'-0" INCREASE LOCKING PIN'S LENGTH BY 2" FOR EVERY 6" INCREASE ON SHUTTER BLADE'S LENGTH.



20 NICKEL PLATED PUSH LOCK BOTTOM

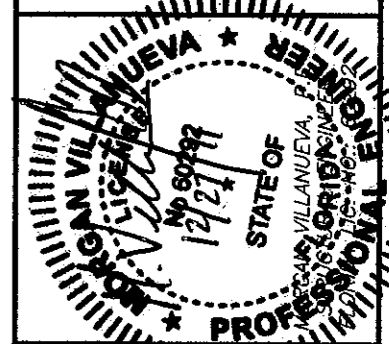


TYPICAL CONNECTION WITH ALUMINUM PLATE (ONLY FOR WINDOW SILL)

RS-1 ALUMINUM SHUTTER HIGH VELOCITY SHUTTER SYSTEM
ROLLSHIELD INC.
 PHONE (305) 436-6661 FAX (305) 820-8225
 2500 N.W. 74TH AVENUE
 MIAMI, FLORIDA 331222
 www.rollshield.com

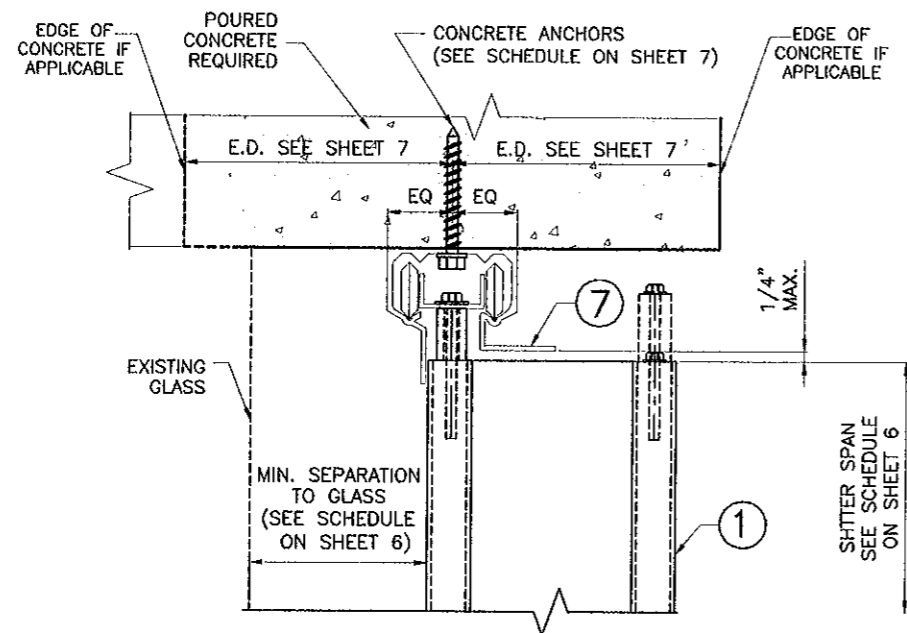
REV. No	DESCRIPTION	DATE
1	GENERAL	9-30-
2	ADDENDUM/ NEW COMPONENTS 21 & 22	11/10/
3	RENEWAL AS PER FBC 2007	5-14-
4	RENEWAL AS PER FBC 2010	12-26-

V.M. Engineering Inc.
 C. of A. No. 27633
 11278 S.W. 153rd Place
 MIAMI, FLORIDA 33196
 TEL: 786-281-6968
 TEL: 305-383-5896

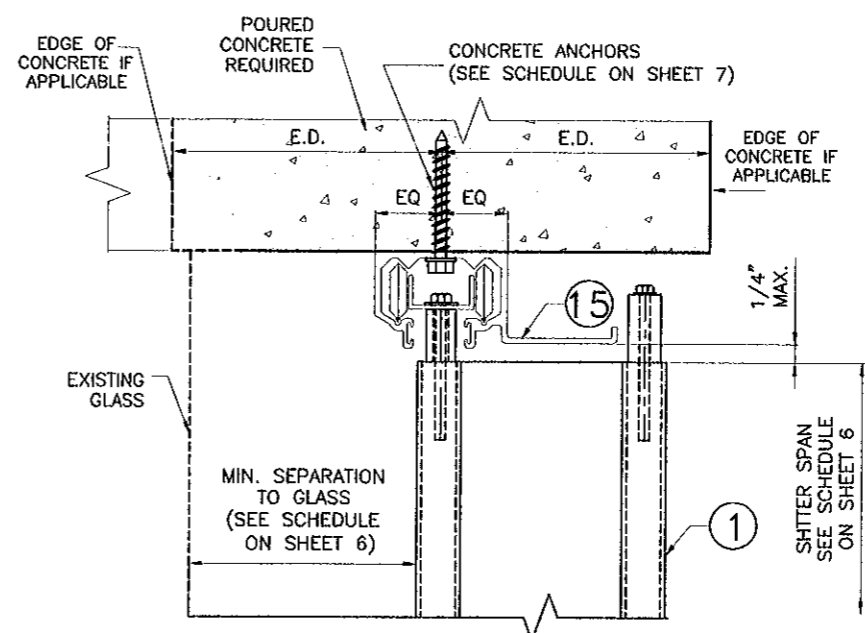


MIAMI-DADE COUNTY
 PRODUCT REVISED as complying with the Florida Building Code
 Acceptance No 11-1227.04
 Expiration Date 01/19/2017
 By [Signature]
 Miami Dade Product Control

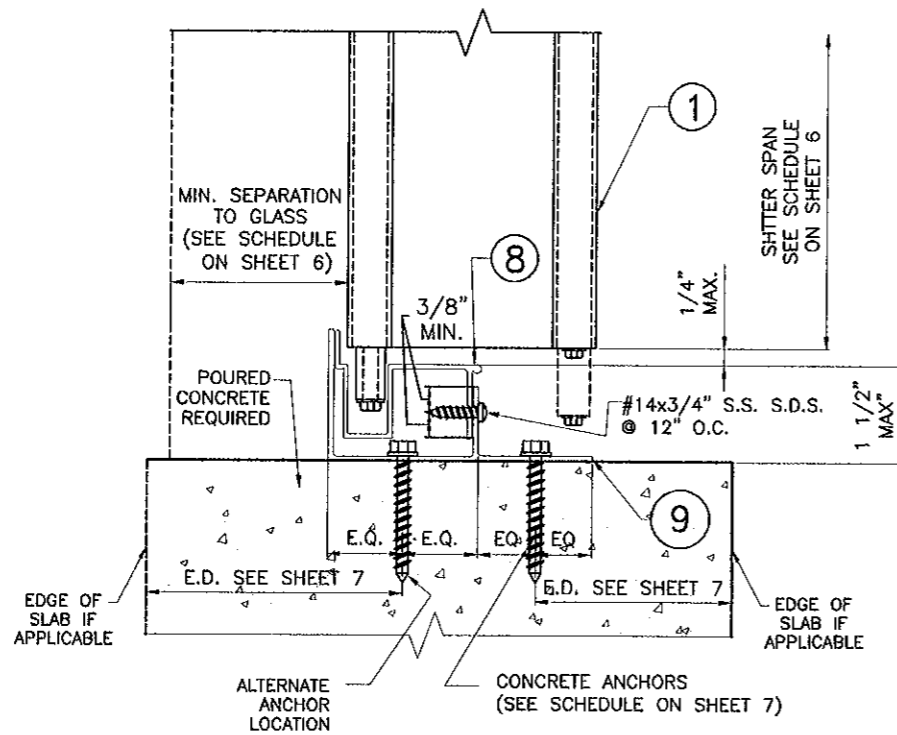
SCALE:
 DATE: 12-26-2011
F.B.C.
 (High Velocity Hurricane Zone)
 DWG No: 12-2011(RS1-06)
 SHEET 24 OF 9



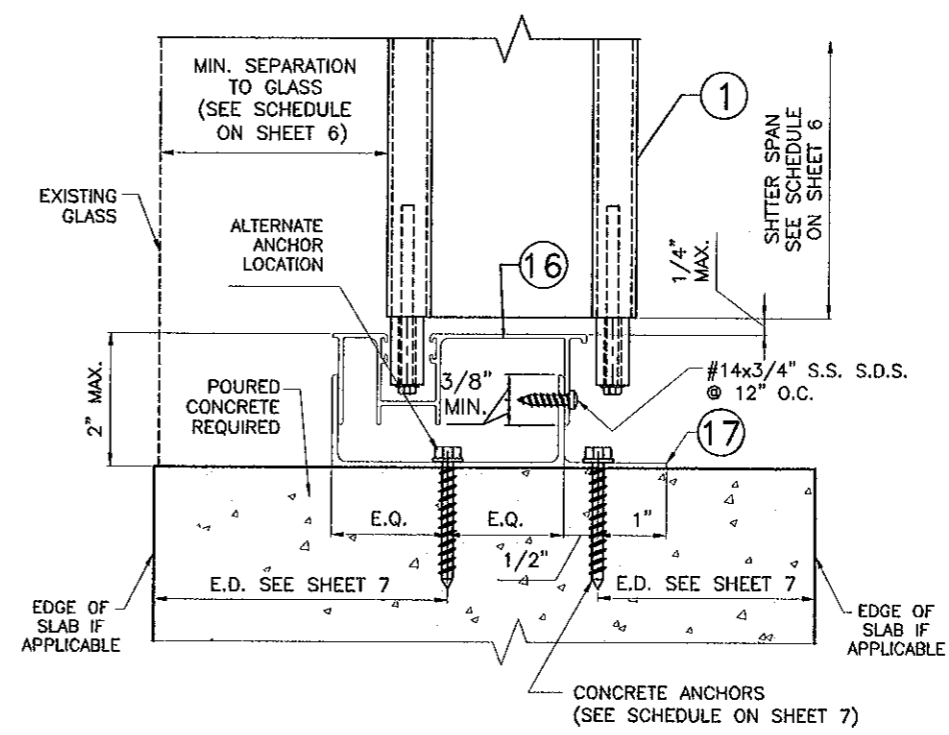
① CEILING HEADER MOUNTING INSTALLATION



③ CEILING HEADER MOUNTING INSTALLATION



② SILL & ADJUSTABLE FLOOR MOUNTING INSTALLATION



④ SILL & ADJUSTABLE FLOOR MOUNTING INSTALLATION

RS-1 ALUMINUM SHUTTER HIGH VELOCITY SHUTTER SYSTEM

ROLLINGSIELD INC.
 PHONE (305) 436-6661 FAX (305) 820-8225
 2500 N.W. 74TH AVENUE
 MIAMI, FLORIDA 331222
 www.rollingsield.com

REV. No	DESCRIPTION	DATE
1	GENERAL	9-30-09
2	ADDENDUM/ NEW COMPONENTS 21 & 22	11/19/10
3	RENEWAL AS PER FBC 2007	5-14-10
4	RENEWAL AS PER FBC 2010	12-26-20

V.M. Engineering Inc.
 C. of A. No. 27633
 11278 S.W. 153rd Place
 MIAMI, FLORIDA 33196
 TEL: 786-281-6988
 TEL: 305-383-5896

MORGAN VILLANUEVA
 LICENSED PROFESSIONAL ENGINEER
 STATE OF FLORIDA
 No. 12277

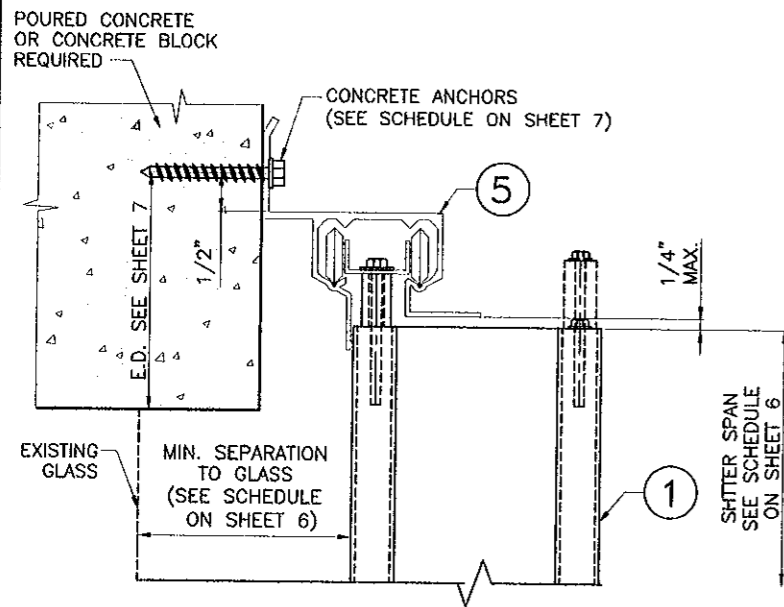
PRODUCT REVISED as complying with the Florida Building Code
 Acceptance No. 11-1227.04
 Expiration Date 01/19/2017
 By *Helmy A. Helmy*
 Miami Dade Product Control

MIAMI - DADE COUNTY

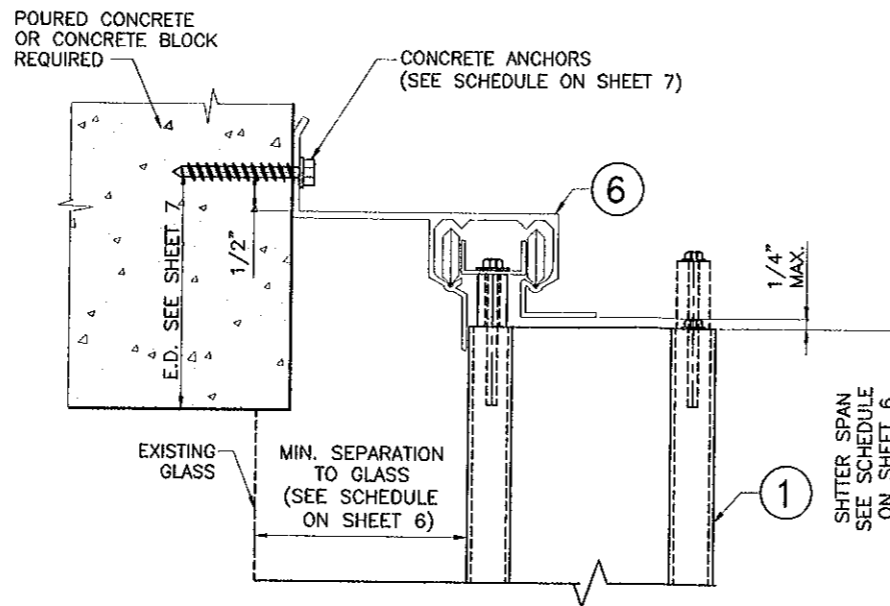
SCALE:
 DATE: 12-26-2011

F.B.C.
 (High Velocity Hurricane Zone)

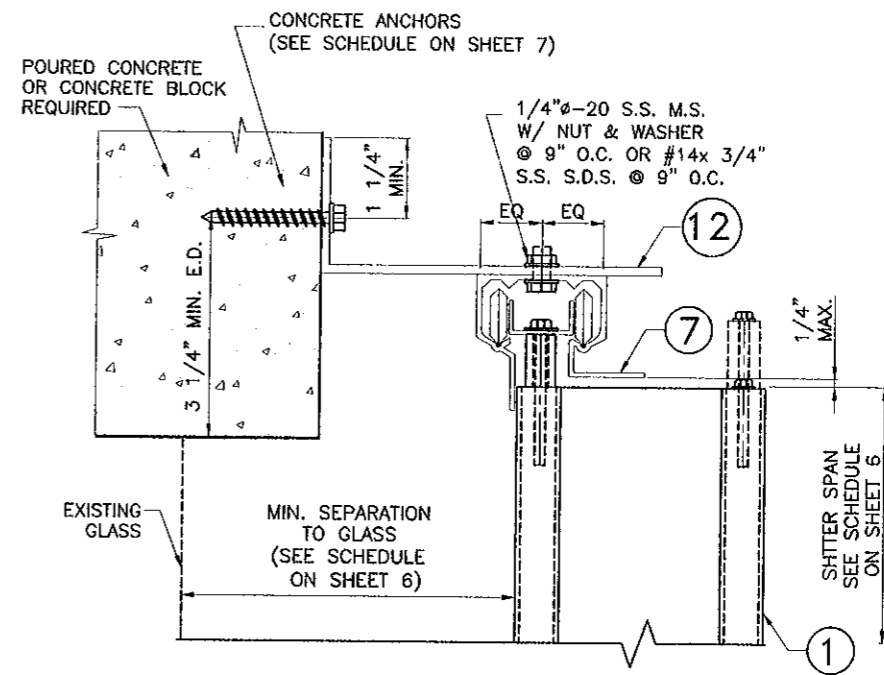
DWG No: 12-2011(RS1-06)
 SHEET 3 OF 9



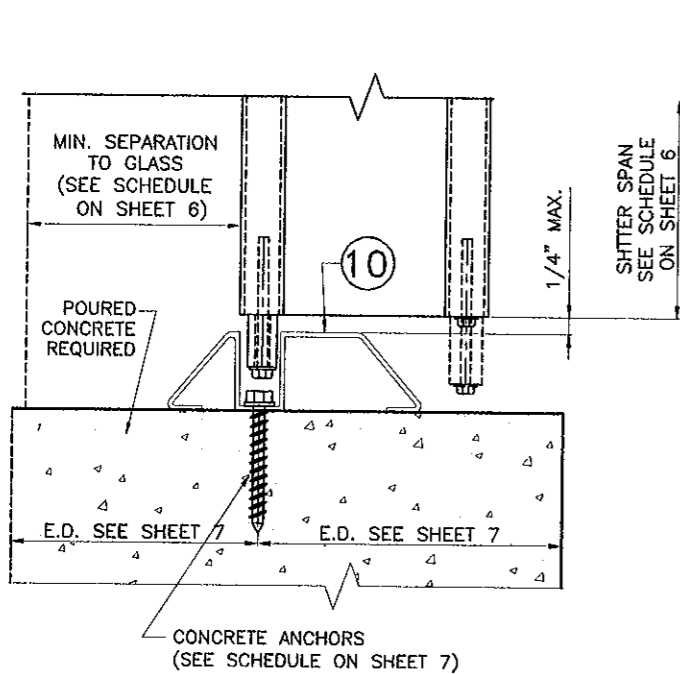
⑤ HEADER WALL MOUNTING INSTALLATION



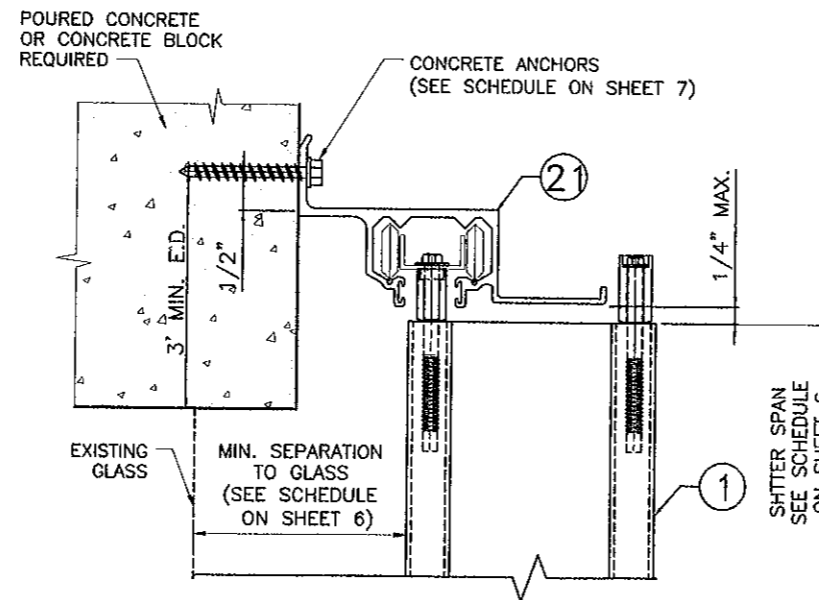
⑥ B.O. HEADER WALL MOUNTING INSTALLATION



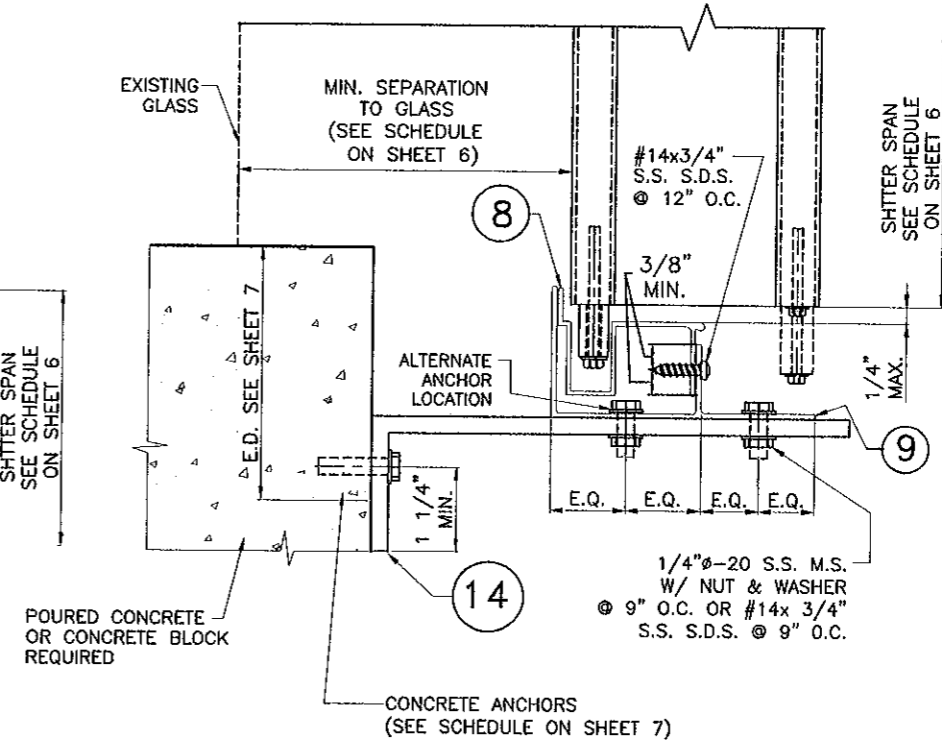
⑦ B.O. CEILING HEADER MOUNTING INSTALLATION



⑨ THRESHOLD FLOOR MOUNTING INSTALLATION



⑩ WALL MOUNTING INSTALLATION



⑧ B.O. SILL & ADJUSTABLE FLOOR MOUNTING INSTALLATION

RS-1 ALUMINUM SHUTTER HIGH VELOCITY SHUTTER SYSTEM

ROLLINGSHIELD INC.
 PHONE (305) 436-6661 FAX (305) 820-8225
 2500 N.W. 74TH AVENUE
 MIAMI, FLORIDA 33122
 www.rollingshield.com

REV. No	DESCRIPTION	DATE
1	GENERAL	9-30-06
2	ADDRESS/ NEW COMPONENTS 21 & 22	11/10/06
3	RENEWAL AS PER FBC 2007	5-14-09
4	RENEWAL AS PER FBC 2010	12-26-2011

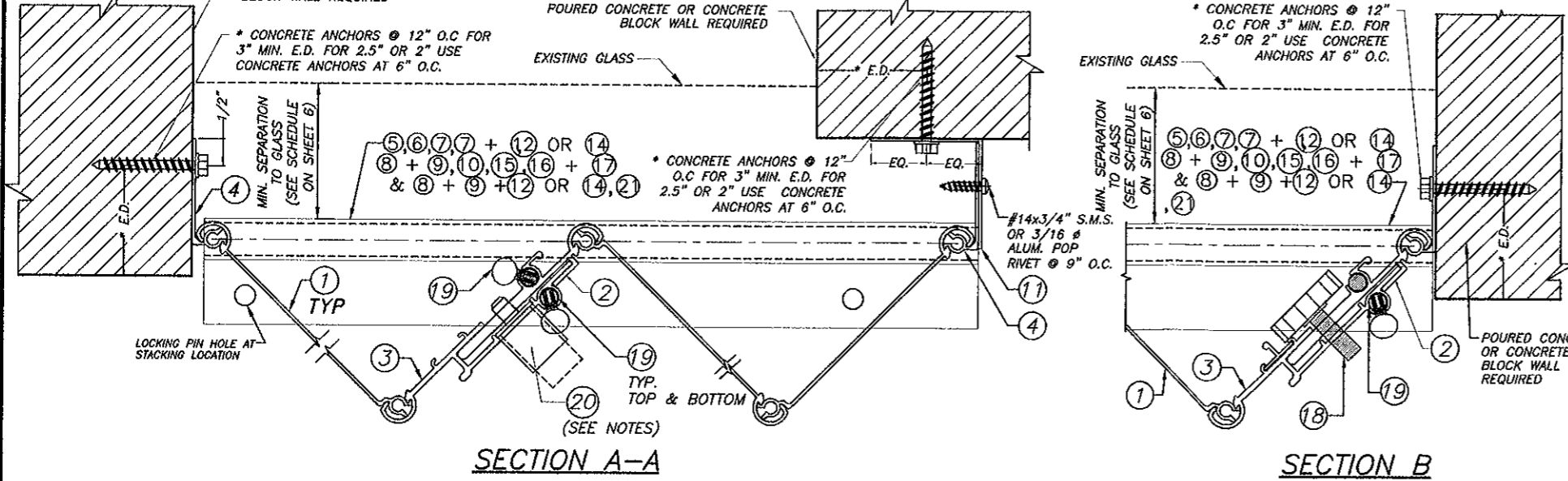
V.M. Engineering Inc.
 of A. No. 27633
 278 S.W. 153rd Place
 MIAMI, FLORIDA 33196
 TEL: 786-281-6968
 TEL: 305-383-5896

PROFESSIONAL ENGINEER
 MORGAN VILLANUEVA
 LICENSE NO. 60292
 11/2/11

PRODUCT REVISED as complying with the Florida Building Code
 Acceptance No. 11-1227-04
 Expiration Date 01/19/2017
 By *Heather A. Mohr*
 Miami Dade Product Control

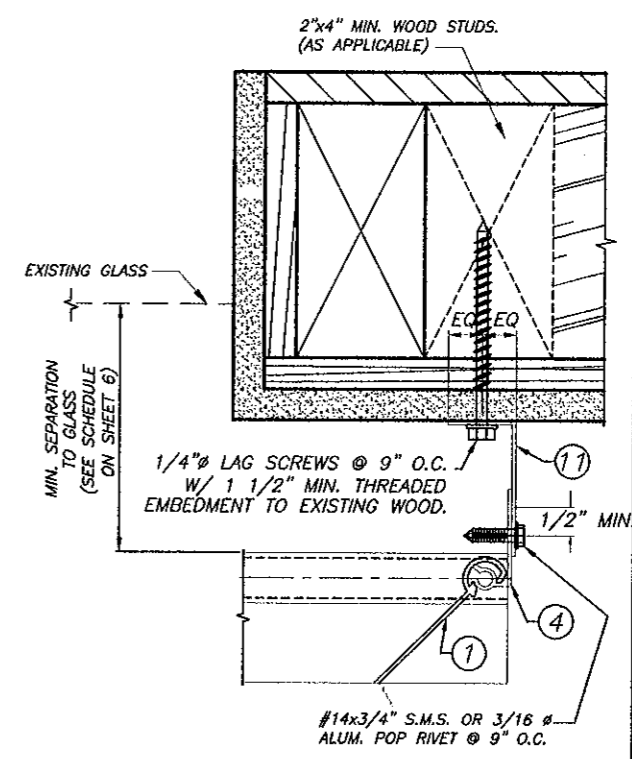
MIAMI-DADE COUNTY

SCALE:
 DATE: 12-26-2011
F.B.C.
 (High Velocity Hurricane Zone)
 DWG No: 12-2011(RS1-06)
 SHEET 4 OF 9

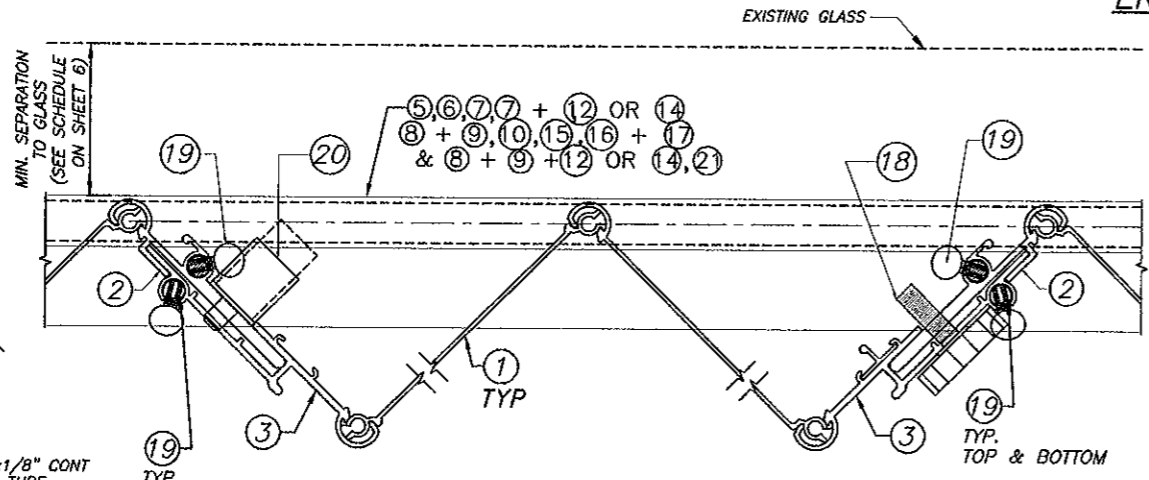


SECTION A-A

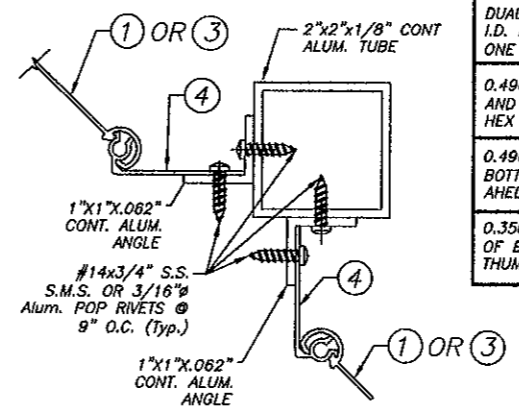
SECTION B
END CLOSURE ALTERNATE



SECTION F



SECTION D



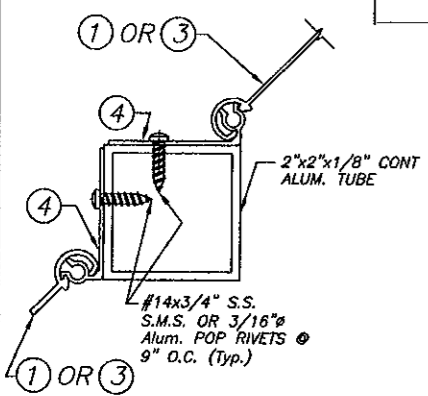
SECTION E

DUAL NYLON WHEELS WITH 0.490\"/>

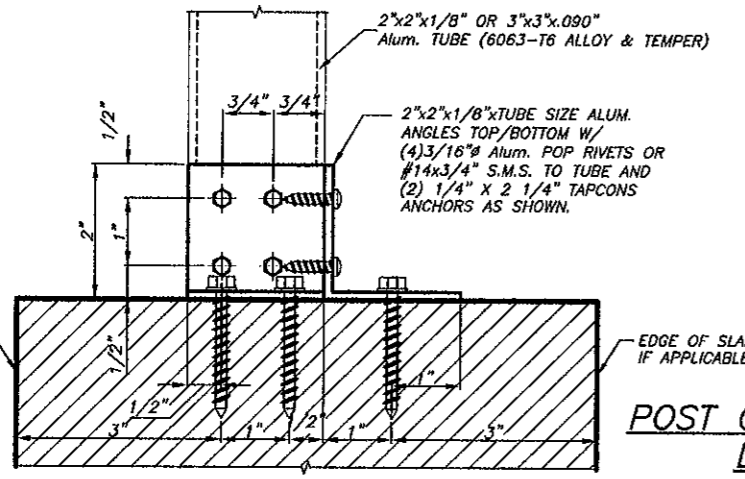
0.490\"/>

0.490\"/>

0.350\"/>



SECTION C

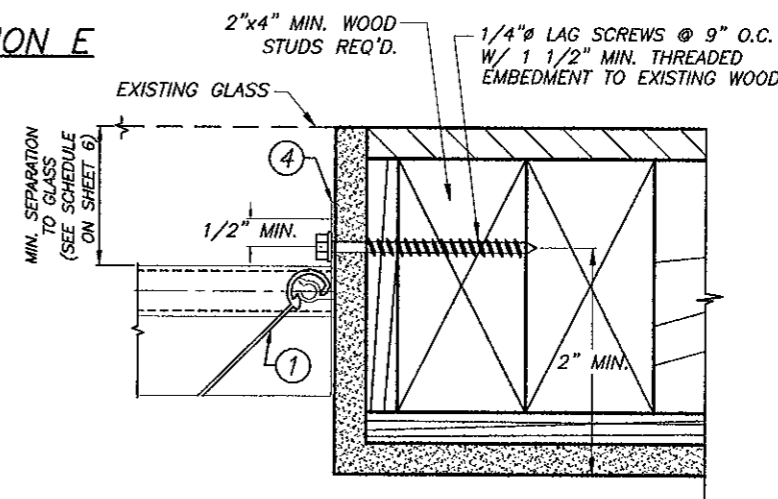


POST CONNECTION
DETAIL

NOTES FOR LOCKING OF (2) & (3)

PUSH BOTTOM LOCK (2) MAY BE USED FOR INSTALLATIONS SECURED FROM THE OUTSIDE OR INSIDE OF SHUTTER. WHEN INSTALLING (2) FROM THE OUTSIDE, A 7/8\"/>

5/16\"/>



SECTION G

RS-1 ALUMINUM SHUTTER HIGH VELOCITY SHUTTER SYSTEM

ROLLSHIELD INC.
 PHONE (305) 436-6661 FAX (305) 820-8225
 2500 N.W. 74TH AVENUE
 MIAMI, FLORIDA 33122
 www.rollshield.com

REV. No	DESCRIPTION	DATE
1	GENERAL	9-30-00
2	ADDENDUM/ NEW COMPONENTS 21 & 22	11/10/00
3	RENEWAL AS PER FBC 2007	5-14-06
4	RENEWAL AS PER FBC 2010	12-26-2011

V.M. Engineering Inc.
 of A. No. 27633
 1278 S.W. 153rd Place
 MIAMI, FLORIDA 33196
 TEL: 786-281-6968
 TEL: 305-383-5896

MORGAN VILLANUEVA
 LICENSED PROFESSIONAL ENGINEER
 STATE OF FLORIDA
 No. 1266002
 12/27/11

PRODUCT REVISED as complying with the Florida Building Code
 Acceptance No 11-1227-04
 Expiration Date 01/19/2017

By *Helmut A. Weber*
 Miami Dade Product Control!

MIAMI-DADE COUNTY

SCALE:
 DATE: 12-26-2011

F.B.C.
 (High Velocity Hurricane Zone)

DWG No: 12-2011(RS1-06)
 SHEET 5 OF 9

**MAXIMUM DESIGN PRESSURE RATING "W" (p.s.f.) AND
CORRESPONDING MAXIMUM SPAN "L" SCHEDULE.**

MAXIMUM WIND LOAD DESIGN "W" (p.s.f.)	MAXIMUM ALLOWABLE DESIGN SPANS								MINIMUM SEPARATION TO GLASS (in.)	
	SECTIONS 5 TO 8 WALL MOUNTING INSTALLATIONS		SECTIONS 1, 2 & 9 FLOOR/CEILING MOUNTING INSTALLATIONS		SECTIONS 3 & 4 FLOOR/CEILING MOUNTING INSTALLATIONS		SECTION 10 WALL MOUNTING INSTALLATION		WHEN SHUTTERS INSTALLED WITHIN THE FIRST 30'-0" ELEVATION OF BUILDING MEASURED AT BOTTOM OF SHUTTER.	WHEN SHUTTERS INSTALLED ABOVE 30'-0" ELEVATION OF BUILDING, MEASURED AT BOTTOM OF SHUTTER.
	L+	L-	L+	L-	L+	L-	L+	L-		
30	12'-4"	12'-4"	12'-4"	12'-4"	12'-4"	12'-4"	12'-4"	12'-4"	3"	2 3/4"
35	12'-4"	12'-4"	12'-4"	12'-4"	12'-4"	12'-4"	12'-4"	12'-4"	3"	2 3/4"
40	12'-4"	12'-4"	12'-4"	12'-4"	12'-4"	12'-4"	12'-4"	12'-4"	3"	2 3/4"
45	11'-10"	11'-10"	11'-10"	11'-10"	12'-4"	12'-4"	12'-1"	12'-3"	3"	2 3/4"
50	11'-3"	11'-3"	11'-5"	11'-5"	12'-4"	12'-4"	11'-11"	12'-1"	3"	2 3/4"
55	10'-8"	10'-8"	11'-0"	11'-0"	12'-4"	12'-4"	11'-8"	12'-0"	3"	2 3/4"
60	10'-3"	10'-3"	10'-7"	10'-7"	12'-0"	12'-4"	11'-6"	11'-10"	3"	2 3/4"
65	9'-10"	9'-10"	10'-2"	10'-2"	11'-6"	12'-4"	11'-3"	11'-9"	3"	2 3/4"
70	9'-6"	9'-6"	9'-9"	9'-9"	11'-1"	12'-4"	11'-1"	11'-6"	3"	2 3/4"
75	9'-2"	9'-2"	9'-4"	9'-4"	10'-9"	12'-4"	10'-10"	11'-4"	3"	2 3/4"
80	8'-10"	8'-10"	9'-4"	9'-4"	10'-5"	12'-4"	10'-8"	11'-2"	3"	2 3/4"
85	8'-7"	8'-7"	9'-0"	9'-4"	10'-1"	12'-4"	10'-5"	11'-0"	3"	2 3/4"
90	8'-4"	8'-4"	8'-9"	9'-3"	9'-10"	12'-4"	10'-3"	10'-10"	3"	2 3/4"
95	7'-8"	8'-2"	8'-6"	9'-3"	9'-6"	12'-4"	10'-0"	10'-8"	2 3/4"	2 3/4"
100	6'-10"	7'-11"	8'-4"	9'-1"	9'-4"	12'-4"	9'-10"	10'-6"	2 3/4"	2 3/4"
105	6'-3"	7'-9"	8'-1"	8'-10"	8'-10"	12'-2"	9'-7"	10'-5"	2 3/4"	2 3/4"
110	5'-6"	7'-7"	7'-9"	8'-8"	8'-6"	11'-11"	9'-5"	10'-3"	2 3/4"	2 3/4"
115	4'-10"	7'-5"	7'-3"	8'-6"	8'-0"	11'-8"	9'-2"	10'-2"	2 3/4"	2 3/4"
120	4'-2"	7'-3"	7'-2"	8'-3"	7'-7"	11'-5"	9'-0"	10'-1"	2 3/4"	2 3/4"
125	3'-6"	7'-1"	7'-0"	8'-1"	7'-3"	11'-2"	-	10'-0"	2 3/4"	2 3/4"
130	-	6'-11"	-	7'-11"	7'-0"	10'-11"	-	9'-10"	2 3/4"	2 3/4"
135	-	6'-10"	-	7'-10"	6'-9"	10'-9"	-	9'-9"	2 3/4"	2 3/4"
140	-	6'-8"	-	7'-8"	6'-6"	10'-7"	-	9'-8"	2 3/4"	2 3/4"
145	-	6'-7"	-	7'-6"	6'-3"	10'-4"	-	9'-7"	2 3/4"	2 3/4"
150	-	6'-6"	-	7'-1"	6'-0"	10'-2"	-	9'-6"	2 3/4"	2 3/4"
155	-	6'-4"	-	6'-9"	5'-10"	10'-0"	-	9'-5"	2 3/4"	2 3/4"
160	-	6'-3"	-	6'-5"	5'-8"	9'-10"	-	9'-4"	2 3/4"	2 3/4"
165	-	6'-2"	-	6'-0"	5'-6"	9'-9"	-	9'-4"	2 1/2"	2 3/4"
170	-	5'-11"	-	5'-8"	5'-4"	9'-7"	-	9'-3"	2 1/2"	2 3/4"
175	-	5'-6"	-	5'-4"	5'-2"	9'-5"	-	9'-1"	2 1/2"	2 3/4"
180	-	5'-2"	-	4'-11"	5'-0"	9'-4"	-	9'-0"	2 1/2"	2 3/4"
185	-	4'-10"	-	4'-7"	4'-10"	9'-0"	-	8'-11"	2 1/2"	2 3/4"
190	-	4'-5"	-	4'-2"	4'-9"	8'-10"	-	8'-9"	2 1/2"	2 3/4"
195	-	4'-1"	-	3'-10"	4'-8"	8'-6"	-	8'-6"	2 1/2"	2 3/4"
200	-	3'-6"	-	3'-6"	4'-7"	8'-0"	-	8'-0"	2 1/2"	2 3/4"

NOTES:

(1) L+: ALLOWABLE SPAN DUE TO POSITIVE DESIGN LOAD +W (psf)
L-: ALLOWABLE SPAN DUE TO NEGATIVE DESIGN LOAD -W (psf)

(2) TO DETERMINE MAXIMUM ALLOWABLE SPAN:
GIVEN: POSITIVE LOAD (W+) AND NEGATIVE LOAD (W-)

- IDENTIFY TYPE OF INSTALLATION (WALL MOUNTING, FLOOR MOUNTING, ...ETC.).

- DETERMINE VALUE OF L+ AND L- FROM TABLE

FINAL MAXIMUM ALLOWABLE SPAN SHALL BE EQUAL TO THE "MINIMUM" OF VALUES OF L+ AND L-

(3) AFTER THE MAXIMUM ALLOWABLE SPAN CHECK SCHEDULE TABLE TO OBTAIN MAXIMUM ANCHOR SPACING.

REMEMBER TO SELECT ANCHOR SPACING USING NEGATIVE DESIGN LOAD (W psf)

DUAL NYLON WHEELS WITH 0.490" BY 1.100" LONG NYLON GUIDE, WITH NO I.D. MARKS, AT TOP OF INTERIOR SLATS SPACED EQUALLY, FASTENED WITH ONE NO. 14 BY 3" HEX HEAD PIN SCREWS.

0.490" DIAMETER BY 0.590" NYLON GUIDE, WITH NO I.D. MARKS, AT TOP AND BOTTOM OF EACH EXTERIOR SLAT, FASTENED WITH ONE NO. 14 BY 3" HEX HEAD PIN SCREWS.

0.490" DIAMETER BY 0.820" NYLON GUIDE, WITH NO MARKS, AT TOP AND BOTTOM OF EACH INTERIOR SLAT, FASTENED WITH ONE NO. 14 BY 3" HEX AHED PIN SCREWS.

0.350" DIAMETER BY 24" LONG ALUMINUM LOCK PIN, AT TOP AND BOTTOM OF EACH LOCKING SLAT, FASTENED WITH ONE 10-24 BY 0.430" LONG THUMB TURN SCREWS.

ALTERNATIVES NOTES:

A) SECTIONS (1) & (2) ON THESE GROUPS CAN BE COMBINED AND MOST BE TAKEN THE LOWEST SPAN.

B) SECTIONS (1) & (2) ON THESE GROUPS CAN BE COMBINED AND MOST BE TAKEN THE LOWEST SPAN.

RS-1 ALUMINUM SHUTTER HIGH VELOCITY SHUTTER SYSTEM

ROLLINGSHIELD INC.
PHONE (305) 436-6661 FAX (305) 820-8225
2500 N.W. 74TH AVENUE
MIAMI, FLORIDA 33122
www.rollingshield.com

REV. No	DESCRIPTION	DATE
1	GENERAL	9-30-0
2	ADDENDUM/ NEW COMPONENTS 21 & 22	11/10/0
3	RENEWAL AS PER FBC 2007	5-14-0
4	RENEWAL AS PER FBC 2010	12-26-20

V.M. Engineering Inc.
C. of A. No. 27633
11278 S.W. 153rd Place
MIAMI, FLORIDA 33196
TEL: 786-281-6968
TEL: 305-383-5896

MORGAN VILLANUEVA
LICENSE NO. 66622
STATE OF FLORIDA
PROFESSIONAL ENGINEER
12/27/11

PRODUCT REVISED
as complying with the Florida Building Code
Acceptance No. 11-1227-04
Expiration Date 01/19/2017

By *Heather A. Nelson*
Miami Dade Product Control

MIAMI-DADE COUNTY

SCALE:
DATE: 12-26-2011

F.B.C.
(High Velocity Hurricane Zone)

DWG No: 12-2011(RS1-06)

SHEET 6 OF 9

MAXIMUM WIND LOAD DESIGN PRESSURE "W" AND CORRESPONDING MAXIMUM ANCHOR SPACING (in.) SCHEDULE.

MAXIMUM DESIGN LOAD "W" (p.s.f.)	WALL MOUNTING INSTALLATION AT TOP OR BOTTOM (SECTIONS 5 THRU 8) (TO CONCRETE)			WALL MOUNTING INSTALLATION AT TOP OR BOTTOM (SECTIONS 5 THRU 8) (TO MASONRY)		
	SHUTTER SPAN			SHUTTER SPAN		
	5'-0" OR LESS	5'-0" TO 8'-6"	8'-6" TO MAX. ALLOWED	5'-0" OR LESS	5'-0" TO 8'-6"	8'-6" TO MAX. ALLOWED
LESS THAN 30.0	9	9	9	9	9	9
	9	9	9	9	9	9
	9	9	9	9	9	9
FROM >30.0 TO 60.0	9	9	9	9	7	5
	9	9	8	9	9	9
	9	9	9	9	9	7
FROM >60.0 TO 70.0	9	9	9	9	5.5	4
	9	9	8	9	9	8.5
	9	9	9	9	8	6
FROM >70.0 TO 80.0	9	9	9	9	4	3.5
	9	9	6.5	9	8	7.5
	9	9	9	9	6	5.5
FROM >80.0 TO 90.0	9	9	6	8	3.5	n/a
	9	9	n/a	9	6.5	n/a
	9	9	n/a	9	5	n/a
FROM >90.0 TO 100.0	9	9	n/a	7	3	n/a
	9	6	n/a	9	6	n/a
	9	9	n/a	9	4.5	n/a
FROM >100.0 TO 120.0	9	8	n/a	5.5	n/a	n/a
	8.5	4	n/a	9	5	n/a
	7	9	n/a	7.5	3	n/a
FROM >120.0 TO 140.0	9	7	n/a	4	n/a	n/a
	8	3.5	n/a	7.5	4.5	n/a
	7	8	n/a	5.5	3	n/a
FROM >140.0 TO 160.0	9	6	n/a	3	n/a	n/a
	6.5	3.5	n/a	6	4	n/a
	6.5	7	n/a	4	3	n/a
FROM >160.0 TO 180.0	7.5	5	n/a	n/a	n/a	n/a
	6	3	n/a	5	4	n/a
	6	6	n/a	3.5	3	n/a
FROM >180.0 TO 200.0	9	n/a	n/a	4	n/a	n/a
	9	n/a	n/a	3.5	n/a	n/a
	9	n/a	n/a	3.5	n/a	n/a

MAXIMUM ANCHOR SPACINGS FOR TAPCON, MAXI-SET TAPCONS OR CRETE-FLEX SS4 ARE VALID FOR 3 1/2" EDGE DISTANCE. FOR EDGE DISTANCE LESS THAN 3 1/2", REDUCE ANCHOR SPACING BY MULTIPLYING SPACING GIVEN ON SCHEDULE BY THE BELLOW FACTORS. THE MINIMUM EDGE DISTANCE FOR CALK-IN ANCHORS IS 2 1/2". THE MINIMUM ANCHOR SPACING FOR TAPCON, MAXI-SET TAPCONS OR CRETE-FLEX SS4 IS 3" O.C. AND 2 1/2" FOR CALK-IN ANCHORS.

EXISTING E. D.	FACTOR
3"	.90
2 1/2"	.75
2"	.50

ANCHOR LEGEND

TAPCON OR MAXI-SET TAPCONS
CRETE-FLEX SS4
CALK-IN

MAXIMUM WIND LOAD DESIGN PRESSURE "W" AND CORRESPONDING MAXIMUM ANCHOR SPACING (in.) SCHEDULE.

MAXIMUM DESIGN LOAD "W" (p.s.f.)	CEILING & FLOOR MOUNTING INSTALLATION AT TOP OR BOTTOM (SECTIONS 1,2 & 9) (TO CONCRETE)		
	SHUTTER SPAN		
	5'-0" OR LESS	5'-0" TO 8'-6"	8'-6" TO MAX. ALLOWED
LESS THAN 30.0	9	9	9
	9	9	9
	9	9	9
FROM >30.0 TO 60.0	9	7.5	6
	9	9	9
	9	7.5	6
FROM >60.0 TO 70.0	9	6.5	5.5
	9	9	8
	9	6.5	5.5
FROM >70.0 TO 80.0	9	5.5	5
	9	8	7.5
	9	5.5	5
FROM >80.0 TO 90.0	8.5	5	4.5
	9	7	6.5
	8.5	5	4.5
FROM >90.0 TO 100.0	7.5	4.5	4.5
	9	6.5	6
	8	4.5	4.5
FROM >100.0 TO 120.0	6.5	4	n/a
	9	5.5	n/a
	6.5	4	n/a
FROM >120.0 TO 140.0	5.5	3.5	n/a
	8	5	n/a
	5.5	3.5	n/a
FROM >140.0 TO 160.0	5	3.5	n/a
	7	5.0	n/a
	5	3.5	n/a
FROM >160.0 TO 180.0	4	3.5	n/a
	6.5	n/a	n/a
	4.5	n/a	n/a
FROM >180.0 TO 200.0	4.0	n/a	n/a
	6.5	n/a	n/a
	4.5	n/a	n/a

MAXIMUM WIND LOAD DESIGN PRESSURE "W" AND CORRESPONDING MAXIMUM ANCHOR SPACING (in.) SCHEDULE.

MAXIMUM DESIGN LOAD "W" (p.s.f.)	CEILING & FLOOR MOUNTING INSTALLATION AT TOP OR BOTTOM (SECTIONS 3 & 4) (TO CONCRETE)		
	SHUTTER SPAN		
	5'-0" OR LESS	5'-0" TO 8'-6"	8'-6" TO MAX. ALLOWED
LESS THAN 30.0	9	9	9
	9	9	9
	9	9	9
FROM >30.0 TO 60.0	9	9	6.5
	9	9	9
	9	9	6
FROM >60.0 TO 70.0	9	8	5.5
	9	9	8
	9	8	5.5
FROM >70.0 TO 80.0	9	7	4.5
	9	9	7
	9	7	4.5
FROM >80.0 TO 90.0	9	6	4
	9	9	6
	9	6	4
FROM >90.0 TO 100.0	9	5.5	3.5
	9	8	5.5
	9	5.5	3.5
FROM >100.0 TO 120.0	8	4.5	3.5
	9	6.5	5
	7.5	4.5	3.5
FROM >120.0 TO 140.0	6.5	4	3
	9	6	4.5
	6.5	4	3
FROM >140.0 TO 160.0	6	3.5	3
	8.5	5	4.5
	5.5	3.5	3
FROM >160.0 TO 180.0	5	3	n/a
	7.5	4.5	4
	5	3	2.5
FROM >180.0 TO 200.0	4.5	3	n/a
	7	4	n/a
	4.5	3	n/a

MAXIMUM WIND LOAD DESIGN PRESSURE "W" AND CORRESPONDING MAXIMUM ANCHOR SPACING (in.) SCHEDULE.

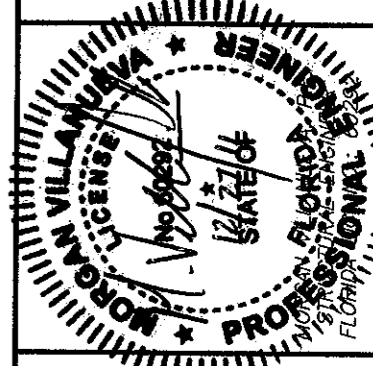
MAXIMUM DESIGN LOAD "W" (p.s.f.)	WALL MOUNTING INSTALLATION AT TOP OR BOTTOM (SECTIONS 5 THRU 8) (TO CONCRETE)			WALL MOUNTING INSTALLATION AT TOP OR BOTTOM (SECTIONS 5 THRU 8) (TO MASONRY)		
	SHUTTER SPAN			SHUTTER SPAN		
	5'-0" OR LESS	5'-0" TO 8'-6"	8'-6" TO MAX. ALLOWED	5'-0" OR LESS	5'-0" TO 8'-6"	8'-6" TO MAX. ALLOWED
LESS THAN 30.0	9	9	9	9	9	9
	9	9	9	9	9	9
	9	9	9	9	9	9
FROM >30.0 TO 60.0	9	9	9	9	7	3.5
	9	9	9	9	9	7.5
	9	9	9	9	9	5.5
FROM >60.0 TO 70.0	9	9	7	9	6	n/a
	9	9	9	9	9	4.5
	9	9	8	9	9	3.5
FROM >70.0 TO 80.0	9	9	5	9	4.5	n/a
	9	9	7	9	9	3.5
	9	9	6	9	6.5	2.5
FROM >80.0 TO 90.0	9	8.5	4	8	n/a	n/a
	9	9	6	9	5.5	n/a
	9	9	5	9	4	n/a
FROM >90.0 TO 100.0	9	6	3.5	7.5	n/a	n/a
	9	8	5	9	4	n/a
	9	7	4	9	3	n/a
FROM >100.0 TO 120.0	9	4	n/a	6	n/a	n/a
	9	5	3.5	9	n/a	n/a
	9	4.5	3	9	2.5	n/a
FROM >120.0 TO 140.0	9	3	n/a	4	n/a	n/a
	9	4	3	8	n/a	n/a
	9	3.5	2.5	5.5	n/a	n/a
FROM >140.0 TO 160.0	7	n/a	n/a	n/a	n/a	n/a
	9	3	n/a	4.5	n/a	n/a
	8.5	2.5	n/a	3.5	n/a	n/a
FROM >160.0 TO 180.0	5	n/a	n/a	n/a	n/a	n/a
	7	n/a	n/a	3.5	n/a	n/a
	6	n/a	n/a	2.5	n/a	n/a
FROM >180.0 TO 200.0	4	n/a	n/a	n/a	n/a	n/a
	5.5	n/a	n/a	n/a	n/a	n/a
	5	n/a	n/a	n/a	n/a	n/a

RS-1 ALUMINUM SHUTTER HIGH VELOCITY SHUTTER SYSTEM

ROLLINGSHIELD INC.
 PHONE (305) 436-6661 FAX (305) 820-8225
 2500 N.W. 74TH AVENUE
 MIAMI, FLORIDA 33122
 www.rollingshield.com

REV. No	DESCRIPTION	DATE
1	GENERAL	9-30-06
2	ADDENDUM/ NEW COMPONENTS 21 & 22	11/10/07
3	RENEWAL AS PER FEB 2007	5-14-09
4	RENEWAL AS PER FEB 2010	12-26-20

V.M. Engineering Inc.
 C. of A. No. 27633
 11278 S.W. 153rd Place
 MIAMI, FLORIDA 33196
 TEL: 786-281-6968
 TEL: 305-383-6896



PRODUCT REVISED as complying with the Florida Building Code
 Acceptance No. 11-1227.04
 Expiration Date 01/19/2017

By *[Signature]*
 Miami Dade Product Control

MIAMI-DADE COUNTY

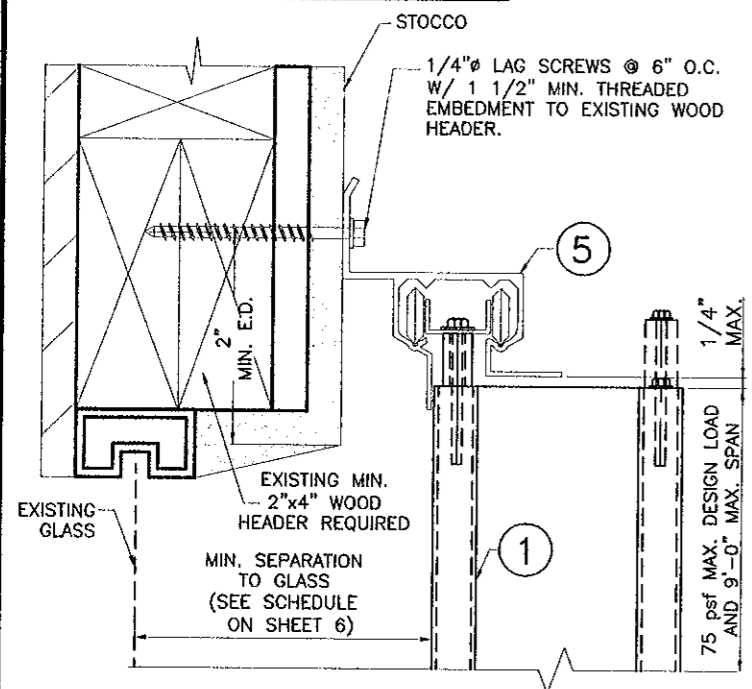
SCALE:
 DATE: 12-26-2011

F.B.C.
 (High Velocity Hurricane Zone)

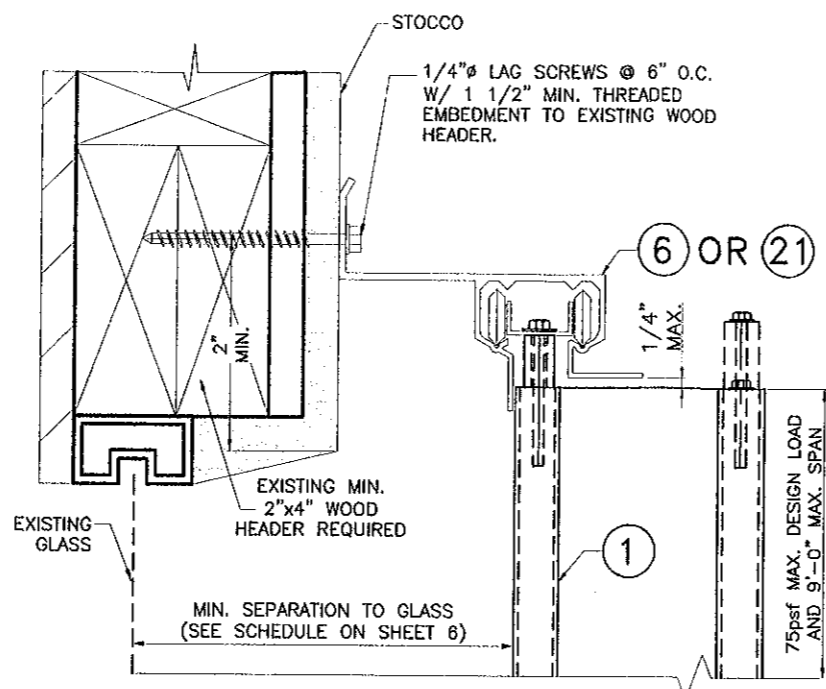
DWG No: 12-2011(RS1-06)
 SHEET 7 OF 9

ALL WOOD MEMBERS SHALL COMPLY WITH THE NATIONAL DESIGN SPECIFICATIONS CURRENT EDITION, MINIMUM OF STRUCTURAL GRADE Fb=2000 psi AND SPECIFIC GRAVITY OF 0.55

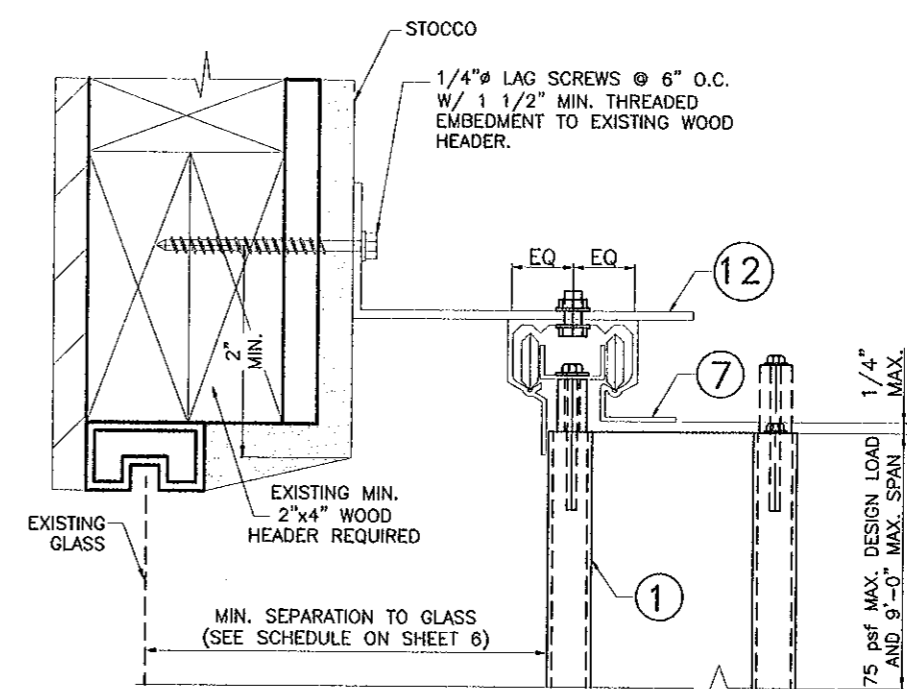
RECOMMENDED INSTALLATIONS AT STRUCTURAL WOOD MEMBERS



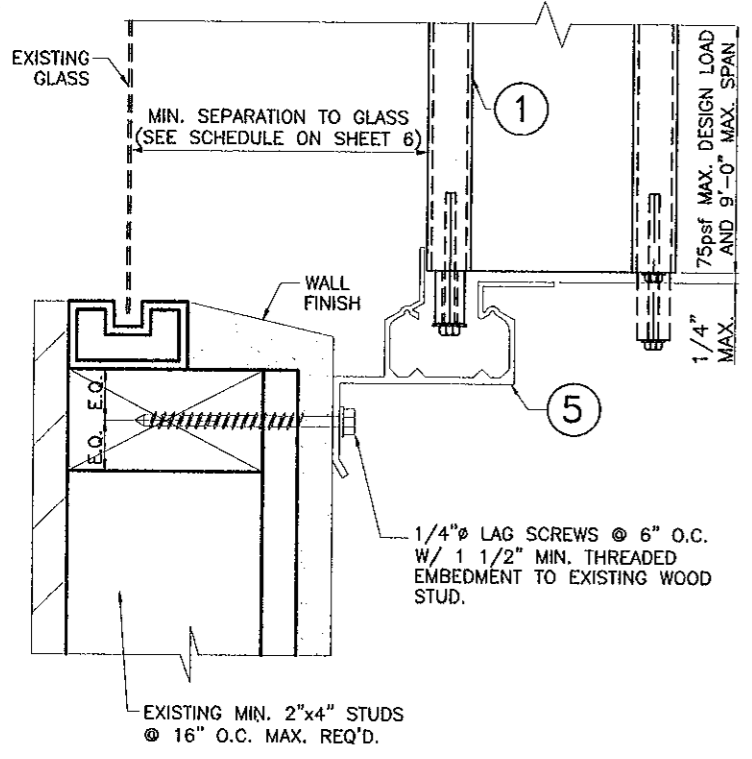
10 WALL CONNECTION AT TOP



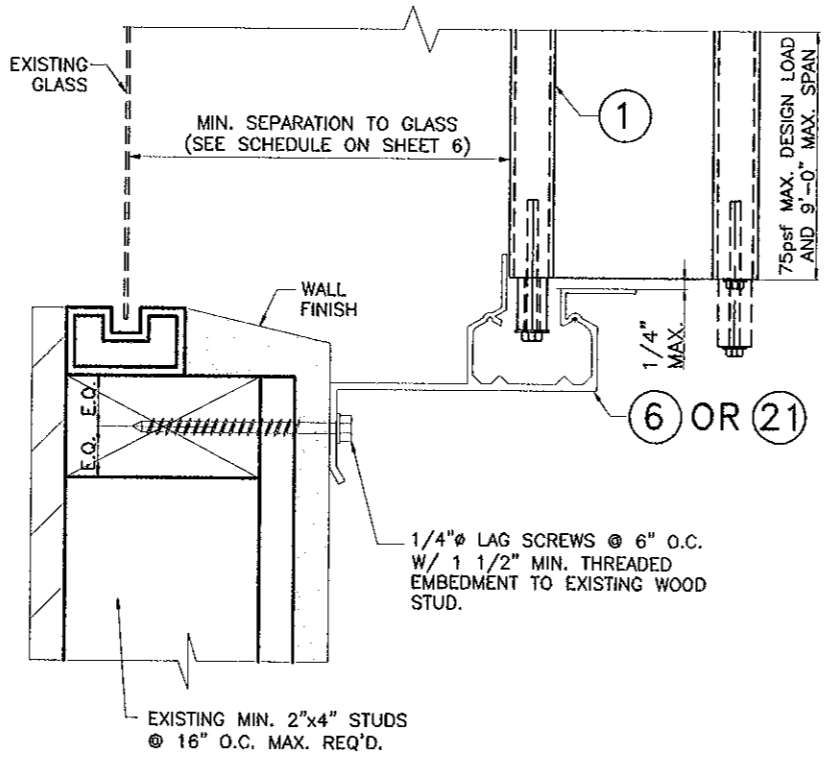
12 WALL CONNECTION AT TOP



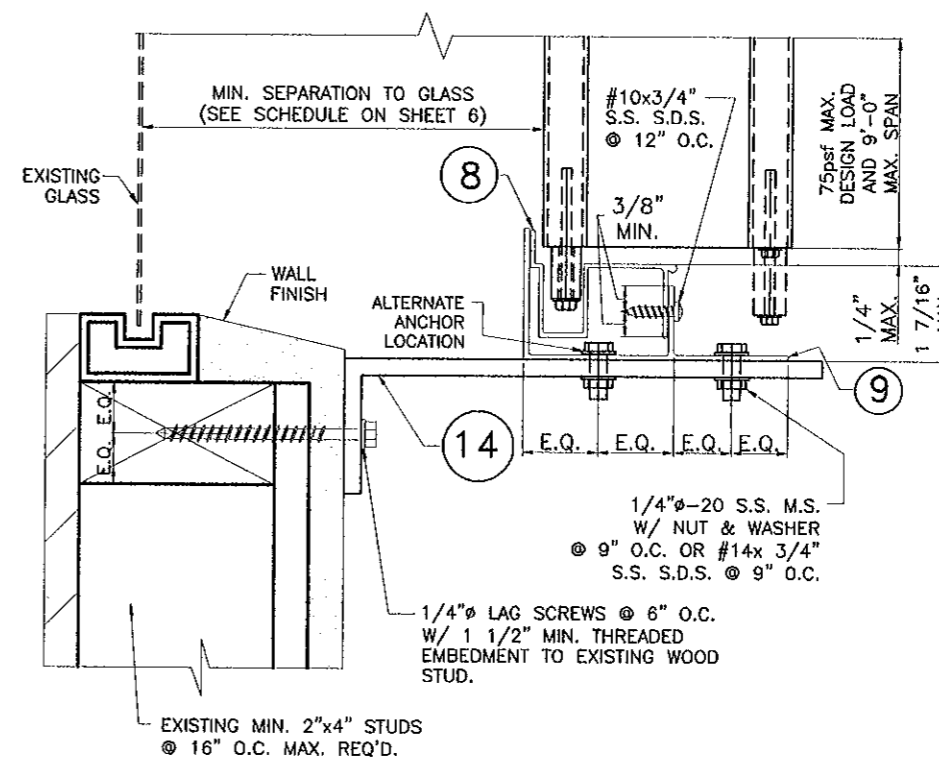
15 B.O WALL CONNECTION AT TOP



11 WALL CONNECTION AT BOTTOM



14 WALL CONNECTION AT BOTTOM



16 B.O WALL CONNECTION AT BOTTOM

RS-1 ALUMINUM SHUTTER HIGH VELOCITY SHUTTER SYSTEM

ROLLSHIELD INC.
 PHONE (305) 436-6661 FAX (305) 820-8225
 2500 N.W. 74TH AVENUE
 MIAMI, FLORIDA 331222
 www.rollshield.com

REV. No	DESCRIPTION	DATE
1	GENERAL	9-30-09
2	ADDENDUM/ NEW COMPONENTS 21 & 22	11/10/09
3	RENEWAL AS PER FBC 2007	5-14-08
4	RENEWAL AS PER FBC 2010	12-26-20

V.M. Engineering Inc.
 C. of A. No. 27633
 11278 S.W. 153rd Place
 MIAMI, FLORIDA 33196
 TEL: 786-281-6968
 TEL: 305-383-5896

MORGAN VILLANUEVA ENGINEER
 LICENSE # 12277
 STATE OF FLORIDA
 PROFESSIONAL ENGINEER

PRODUCT REVISED as complying with the Florida Building Code
 Acceptance No: 11-1227.04
 Expiration Date: 01/19/2017

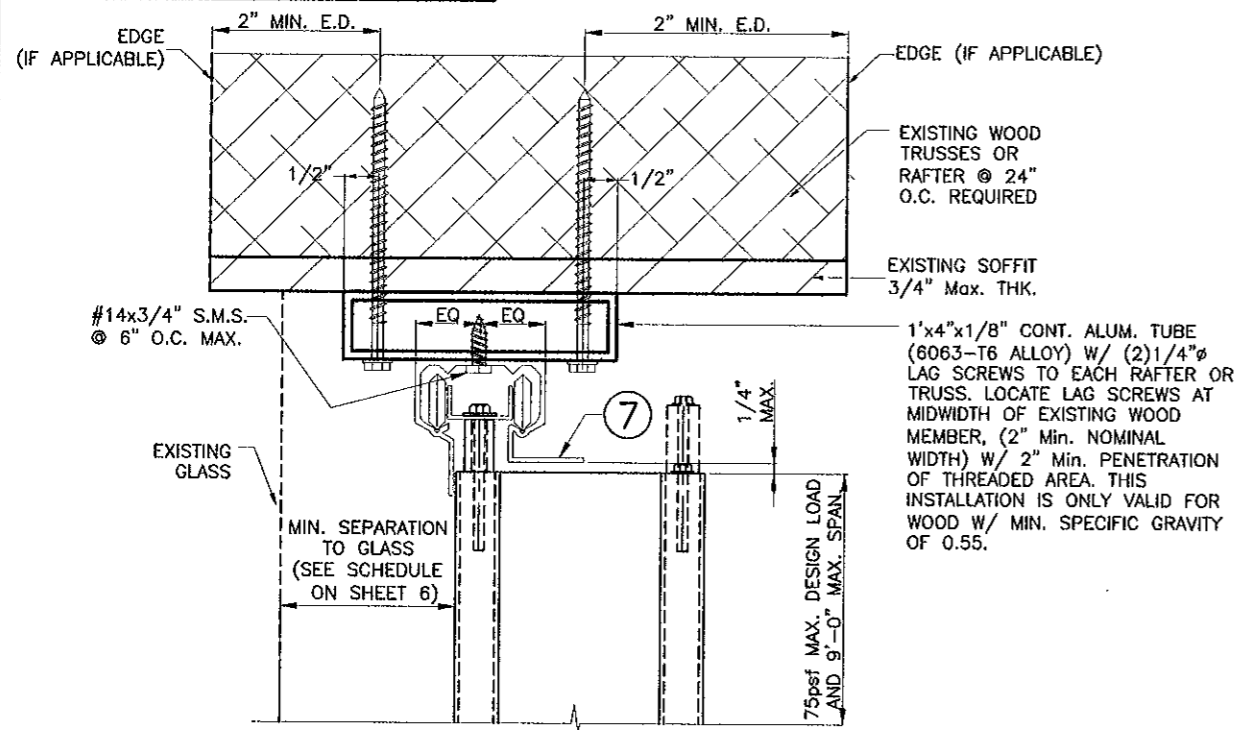
By: *[Signature]*
 Miami Dade Product Control

MIAMI-DADE COUNTY

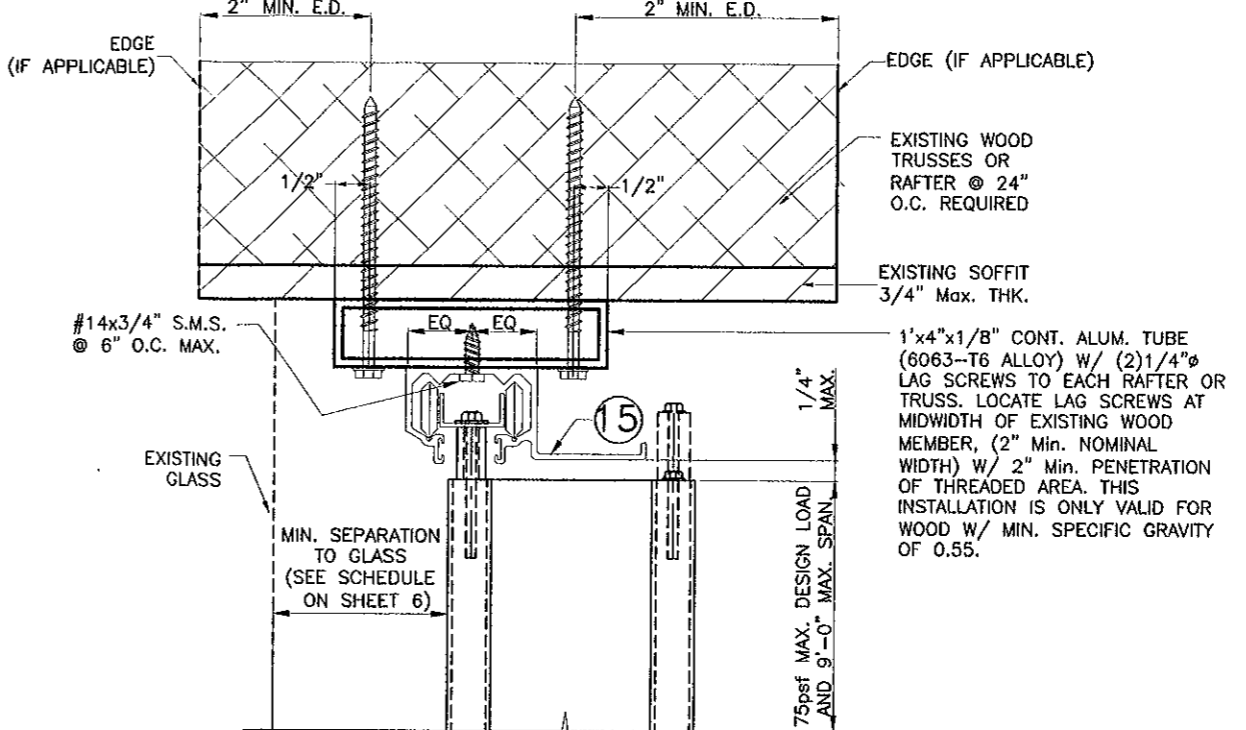
SCALE:
 DATE: 12-26-2011
F.B.C.
 (High Velocity Hurricane Zone)
 DWG No: 12-2011(RS1-06)
 SHEET 8 OF 9

ALL WOOD MEMBERS SHALL COMPLIED WITH THE NATIONAL DESIGN SPECIFICATIONS CURRENT EDITION, MINIMUM OF STRUCTURAL GRADE Fb=2000 psi AND SPECIFIC GRAVITY OF 0.55

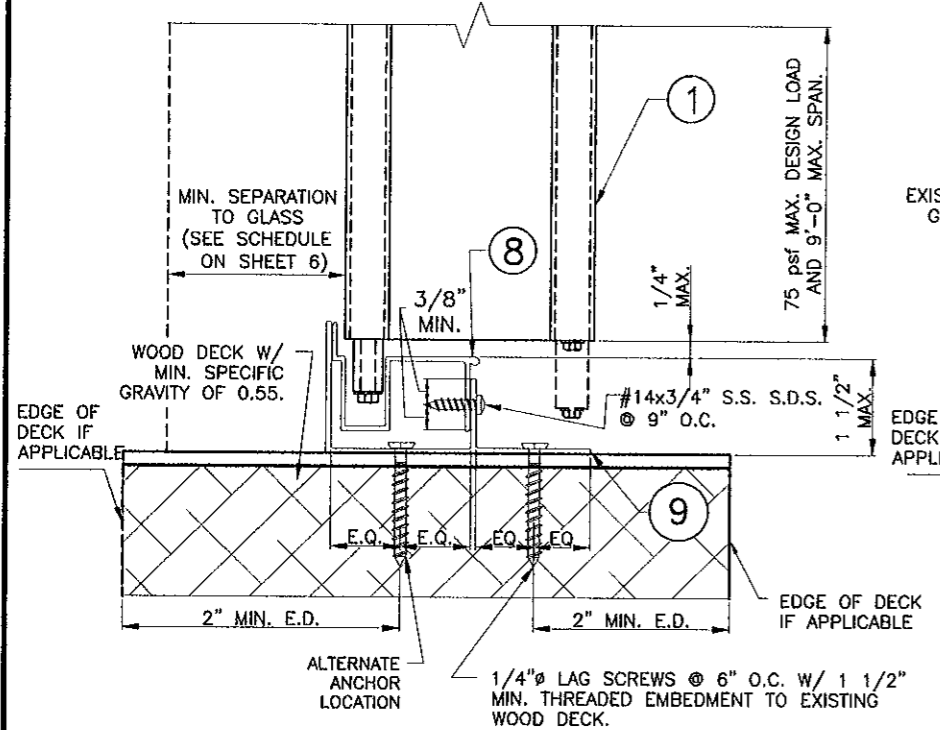
RECOMMENDED INSTALLATIONS AT STRUCTURAL WOOD MEMBERS



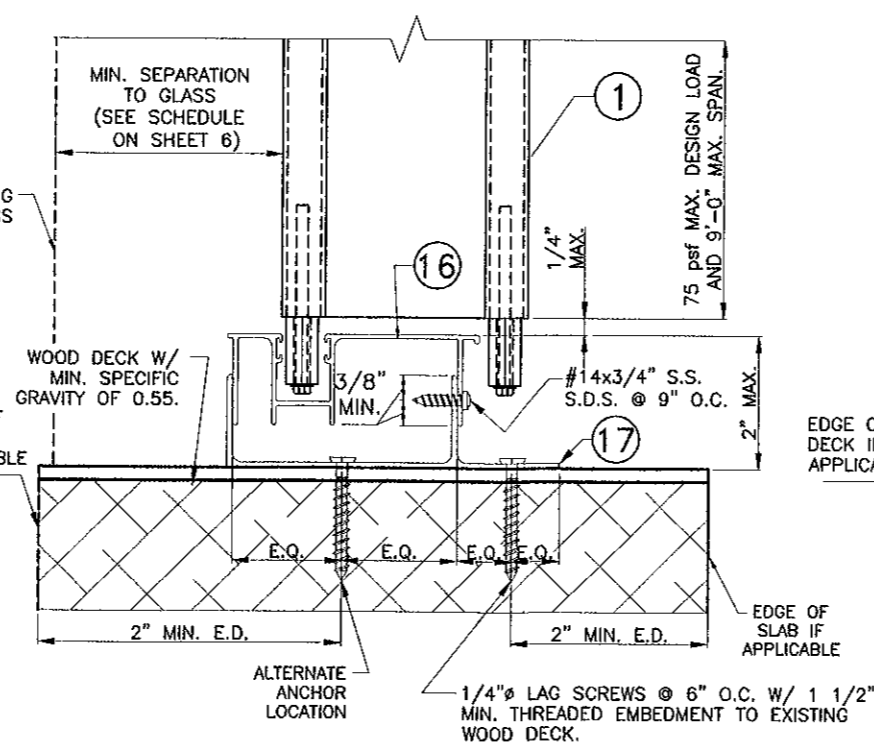
10 HOLLOW CEILING MOUNTING INSTALLATION



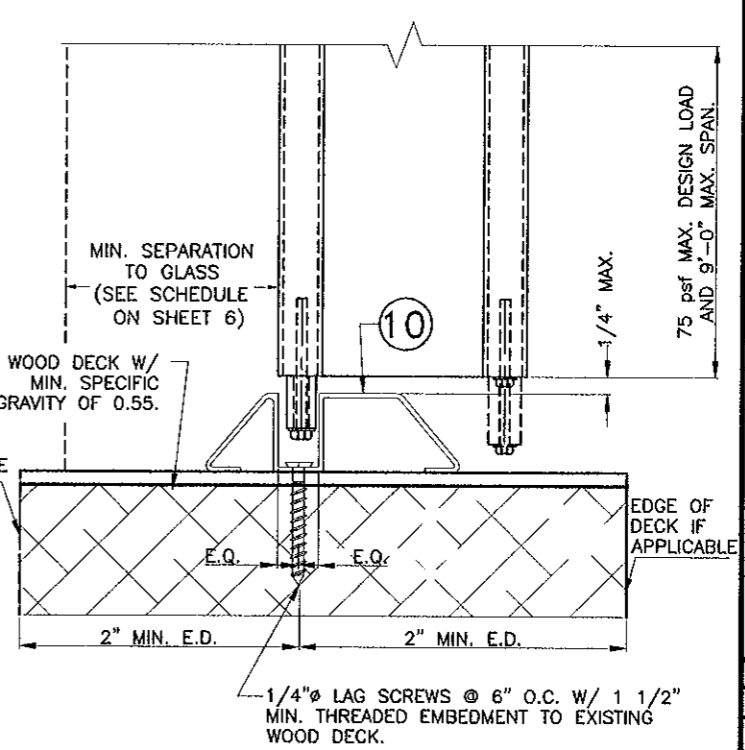
12 HOLLOW CEILING MOUNTING INSTALLATION



11 SILL & ADJUSTABLE FLOOR MOUNTING INSTALLATION



14 SILL & ADJUSTABLE FLOOR MOUNTING INSTALLATION



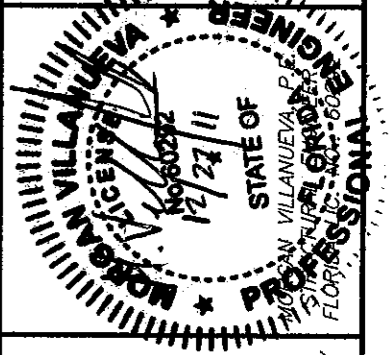
9 THRESHOLD FLOOR MOUNTING INSTALLATION

RS-1 ALUMINUM SHUTTER HIGH VELOCITY SHUTTER SYSTEM

ROLLSHIELD INC.
 PHONE (305) 436-6661 FAX (305) 820-8225
 2500 N.W. 74TH AVENUE
 MIAMI, FLORIDA 33122
 www.rollshield.com

REV. No	DESCRIPTION	DATE
1	GENERAL	9-30-0
2	ADDENDUM/ NEW COMPONENTS 21 & 22	11/10/0
3	RENEWAL AS PER FBC 2007	5-14-0
4	RENEWAL AS PER FBC 2010	12-26-20

V.M. Engineering Inc.
 D. of A. No. 27633
 11278 S.W. 153rd Place
 MIAMI, FLORIDA 33196
 TEL: 786-281-6968
 TEL: 305-383-5896



PRODUCT REVISED as complying with the Florida Building Code
 Acceptance No 11-1227.04
 Expiration Date 01/19/2017
 By *Heather A. Miller*
 Miami Dade Product Control

MIAMI DADE COUNTY

SCALE:
 DATE: 12-26-2011
F.B.C.
 (High Velocity Hurricane Zone)
 DWG No: 12-2011(RS1-06)
 SHEET 9 OF 9